



## PARTS MANUAL

# X160 SERIES AUGER, GULP2 HOPPER

Box 39  
Rosenort, Manitoba, Canada  
Phone: (204) 746-2396 Fax: (204) 746-2679  
Toll Free: (866) 467-7207 (Canada & USA)  
website: [www.wheatheart.com](http://www.wheatheart.com) email: [sales@wheatheart.com](mailto:sales@wheatheart.com)

Printed in Canada



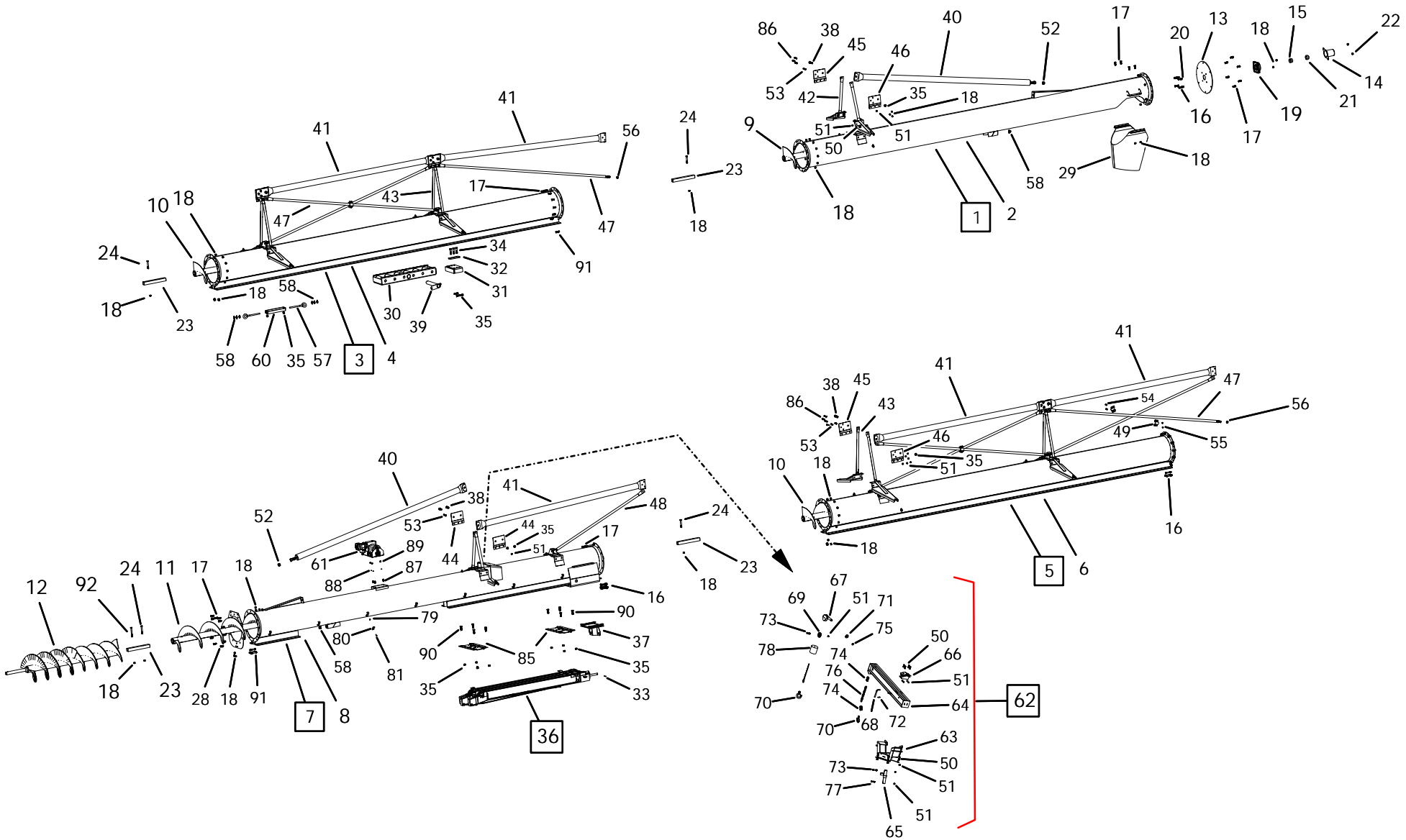
Revised: 30/05/2016

**(This page intentionally left blank.)**

# TABLE OF CONTENTS

<b>DESCRIPTION</b>	<b>PAGE</b>
X160-85 TUBE & TRUSS COMPONENTS	4
X160-105 TUBE & TRUSS COMPONENTS	8
X160-125 TUBE & TRUSS COMPONENTS	12
X160-85 FRAME COMPONENTS	16
X160-105 FRAME COMPONENTS	18
X160-125 FRAME COMPONENTS	20
X160-85 HYDRAULIC HOSE COMPONENTS	22
X160-105 HYDRAULIC HOSE COMPONENTS	24
X160-125 HYDRAULIC HOSE COMPONENTS	26
HOPPER COMPONENTS	28
GULP2 HOPPER - 16"	32
GULP2 PARTS - 16"	36
GULP2 HYDRAULIC LINES - 16"	40
BOOT COMPONENTS	42
SPEED REDUCER COMPONENTS	46
SWING TUBE COMPONENTS	47
ELECTRIC POWER SWING COMPONENTS	50
UPPER GEARBOX (20556) COMPONENTS	52
LOWER GEARBOX (20557) COMPONENTS	53
HYDRAULIC WINCH COMPONENTS	54
PTO SHAFT COMPONENTS	56

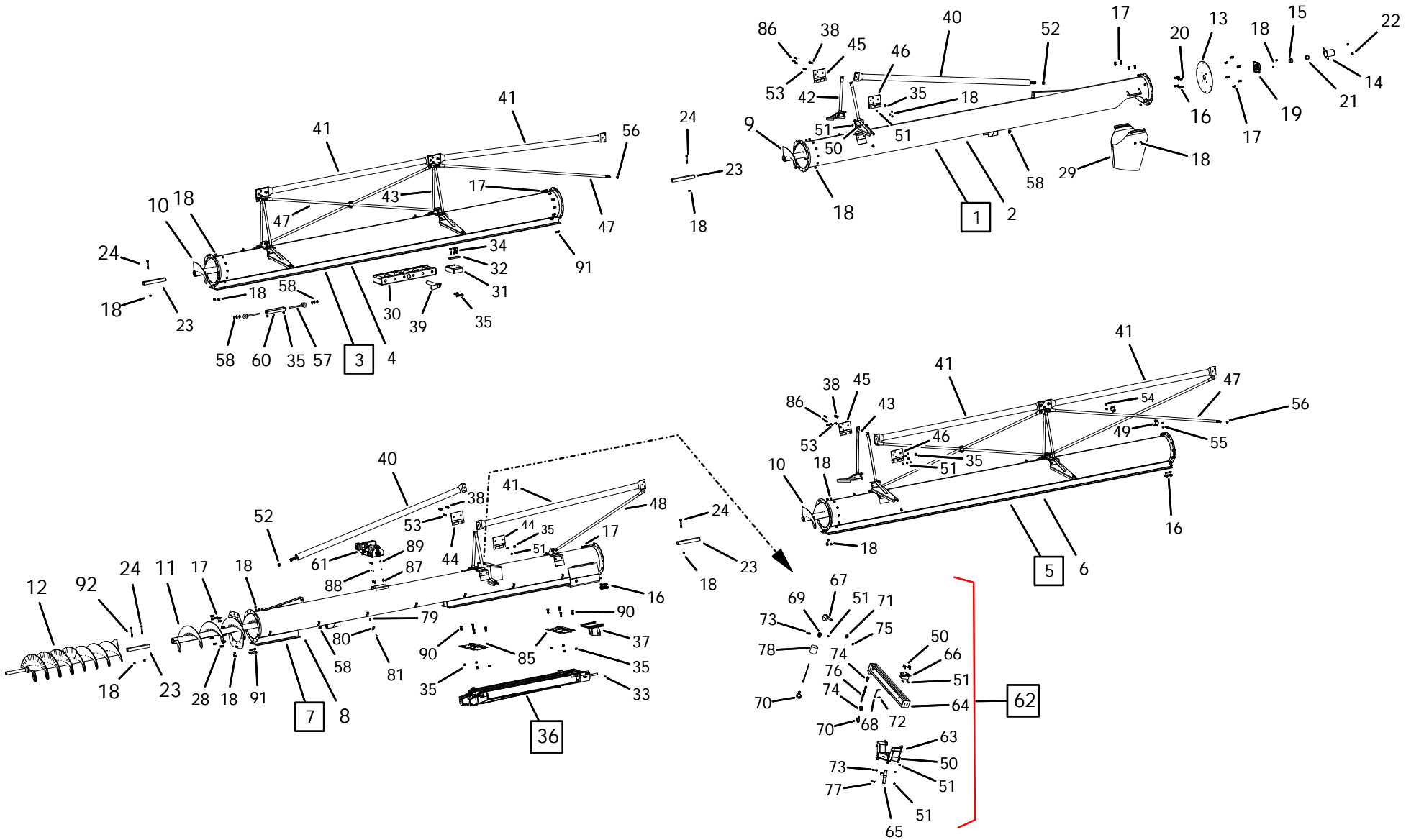
# X160-85 TUBE & TRUSS COMPONENTS



## X160-85 TUBE & TRUSS COMPONENTS

ITEM	PART NO.	DESCRIPTION
1	10-20719WH	X160-85/105/125 UPPER TUBE BDL
2	10-20634WH	X160 UPPER TUBE ONLY
3	10-20718WH	X160 UPPER MIDDLE TUBE BDL
4	10-20627WH	X160 UPPER MIDDLE TUBE ONLY
5	10-20717WH	X160 MIDDLE TUBE BUNDLE
6	10-20623WH	X160 MIDDLE TUBE ONLY
7	10-22451WH	X160-85 LOWER TUBE BUNDLE (2016)
8	10-20711WH	X160-85 LOWER TUBE ONLY
9	10-20648	MKX160 UPPER FLIGHT
10	10-20618	MKX160 MIDDLE FLIGHT
11	10-22388	MKX160 LOWER FLIGHT (2016)
12	10-22387	MKX160 BOOT FLIGHT (2016)
13	10-20632WH	X160 END PLATE
14	10-20660WH	X160 THRUST ADJUSTER COVER
15	10-21171	BUSHING, THRUST ADJUSTER
16	10-17745	5/8" X 3" NC BOLT GR8 PLTD
17	10-19590	5/8" X 1-1/2" NC BOLT GR 8 PLTD
18	10-19600	5/8" NC NYLON LOCKNUT PLTD
19	10-20015	FHF211-32G-AP BEARING
20	10-27484	5/8" X 2-1/4" NC BOLT GR 8 PLTD
21	10-27587	1-1/2" NF HEX NUT GR 5 PLAIN
22	10-27588	5/8" NC SERRATED FLANGE NUT PLTD
23	10-20635	MKX160 SQUARE SHAFT
24	10-18545	5/8" X 4-1/2" NC BOLT GR 8 PLTD
27	10-27589	5/8" X 2-1/2" NC BOLT GR8 PLTD
28	10-19991	5/8" X 2" NC BOLT GR 8 PLTD
29	10-20631	SPOUT, 16 INCH ROLLED
30	10-20647WH	X160 TRACKSHOE
31	10-20670	MKX160 TRACKSTOP
32	10-21037	MKX160 TRACKSTOP SPACER PLATE
33	10-18079	5/16" X 2" ROLL PIN
34	10-19978	3/4" X 3" NC BOLT GR 8 PLTD
35	10-19601	3/4" NC NYLON LOCKNUT PLTD
36	10-20733	MKX160-85 HYD CYLINDER BDL
37	10-20707	MKX160-85 RAM GUIDE
38	10-20774	3/4" X 2-1/2" BOLT GR8 PLTD
39	10-20656	X160 TRACKSHOE PIN
40	10-20722WH	X160 LONG ADJUST TUBE
41	10-20723WH	X160 TRUSS TUBE
42	10-20659WH	X160 LOW TRUSS TOWER
43	10-20658WH	X160 HIGH TRUSS TOWER
44	10-20737WH	X160 END JOINER PLATE
45	10-20720WH	X160 JOINER PLATE 1 (LEFT)
46	10-20721WH	X160 JOINER PLATE 2 (RIGHT)
47	10-20725WH	X160 TRUSS CROSS BRACE, LONG
48	10-20778WH	X160 SHORT CROSS BRACE
49	10-17655	MK111 CROSS BRACE CLAMP
50	10-19589	1/2" X 1-1/2" NC BOLT GR 8 PLTD
51	10-19599	1/2" NC NYLON LOCKNUT GR 2 PLTD

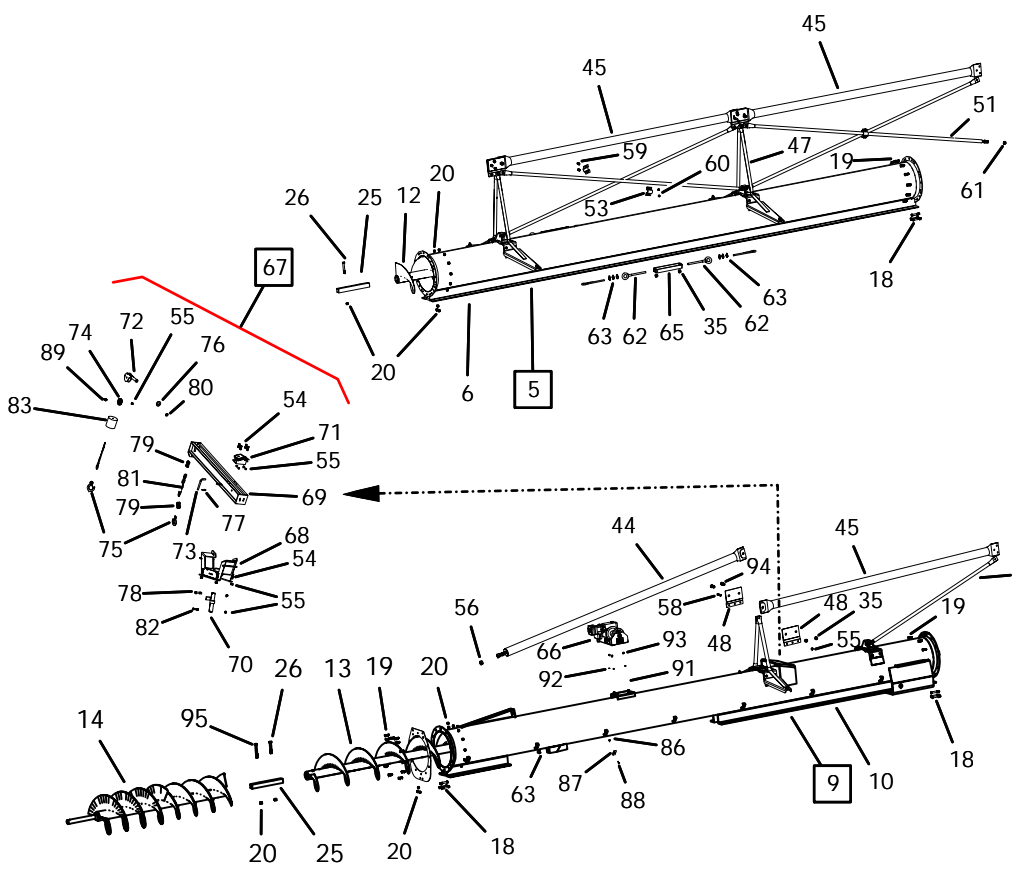
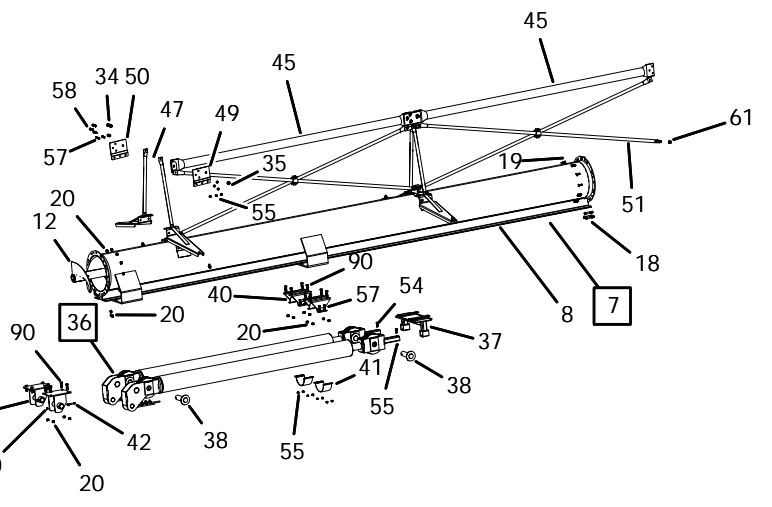
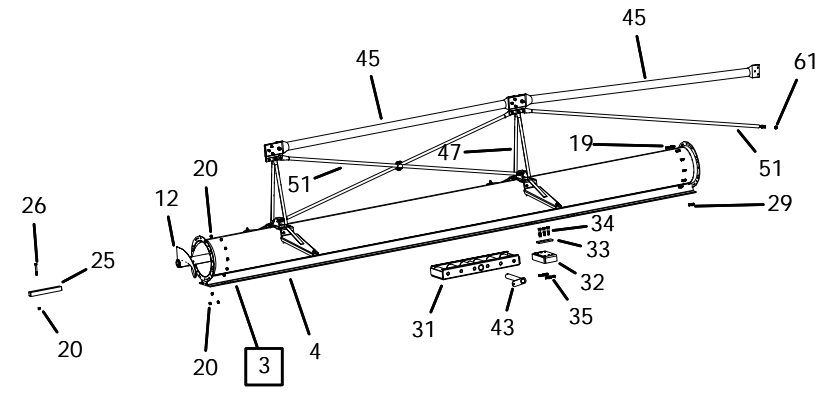
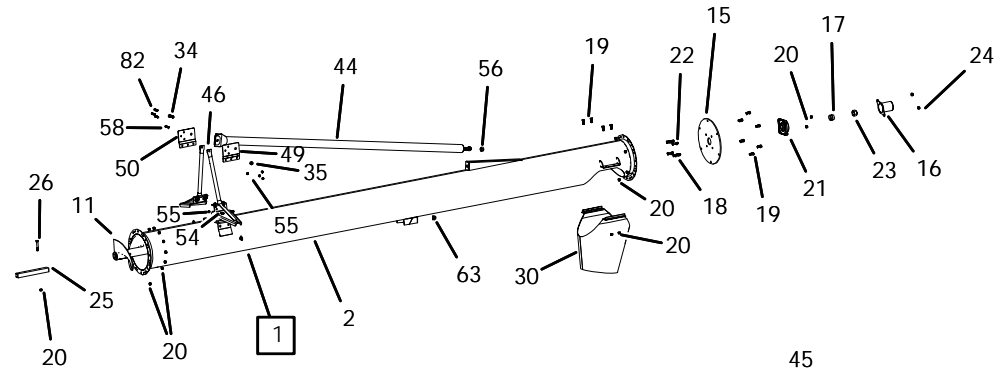
# X160-85 TUBE & TRUSS COMPONENTS



## X160-85 TUBE & TRUSS COMPONENTS

ITEM	PART NO.	DESCRIPTION
52	10-20080	1" NC HEX NUT PLTD
53	10-19974	1/2" X 1-3/4" NC BOLT GR 8 PLTD
54	10-18698	7/16" X 1-1/4" NC BOLT GR 8 PLTD
55	10-19598	7/16" NC NYLON LOCKNUT GR 2 PLTD
56	10-19997	3/4" NC HEX NUT PLTD
57	10-20715	3/4" X 11-1/2" EYE BOLT PLTD WELD
58	10-20617	1/2" CABLE CLAMP
59	10-20740	MKX160-85 TRUSS CABLE (NOT SHOWN)
60	10-20729WH	X160 TURN BUCKLE
61	10-17634	HYDRAULIC WINCH ASSEMBLY, RED
62	10-20663	MKX/X16 LIFT ARM ASSY
63	10-20664	MKX160 LIFT ARM BASE
64	10-20665	MKX160 LIFT ARM ONLY
65	10-20667	MKX160 LIFT ARM SWIVEL
66	10-20668	MKX160 LIFT ARM PULLEY GUIDE
67	10-20669	MKX160 CABLE PULLEY CASTOR
68	10-19648	SADDLE PIN
69	10-10713	CABLE PULLEY (PAINTED BLACK)
70	10-28997	1/2T EYE HOIST HOOK W/LATCH
71	10-17020	1" FLAT WASHER PLTD
72	10-19463	SNAP PIN
73	10-19798	1/2" X 2-3/4" NC BOLT GR 8 PLTD
74	10-20083	5/16" MID LINK
75	10-29300	SNAP RING
76	10-21432	5/16" GRADE 30 (4 LINKS) CHAIN
77	9900560	1/2" X 2-1/4" NC BOLT GR 5 PLTD
78	10-20793	MKX160 HOPPER WEIGHT
79	10-19980	5/16" NC NYLON LOCKNUT PLTD
80	10-20607	MKX160 HYDRAULIC HOSE UPPER CATCH
81	10-17748	5/16" X 1-1/4" NC BOLT GR 2 PLTD
83	10-17376	MK LP HOPPER CABLE (NOT SHOWN)
84	10-19147	1/4" CABLE CLAMP (NOT SHOWN)
85	10-20732	MKX160-85 CYLINDER MOUNT BRACKET
86	10-20772	1/2" X 2-1/2" GR8 PLTD
87	10-18955	3/8" X 1" BOLT NC GR 5 PLTD
88	10-17392	3/8" FLAT WASHER PLTD
89	10-17402	3/8" NC NYLON LOCKNUT
90	10-19592	3/4" X 2" NC BOLT GR8 PLTD
92	10-17632	5/8" X 5-1/2" NC BOLT GR8 PLTD

# X160-105 TUBE & TRUSS COMPONENTS

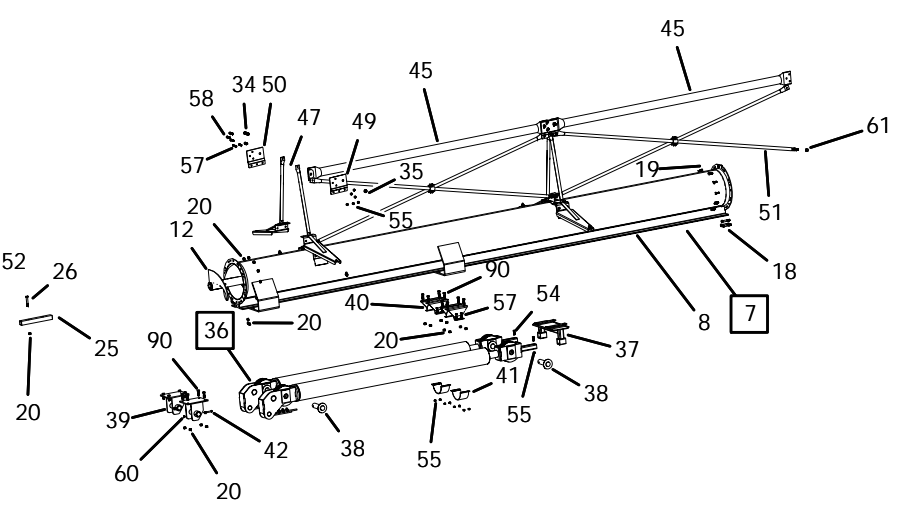
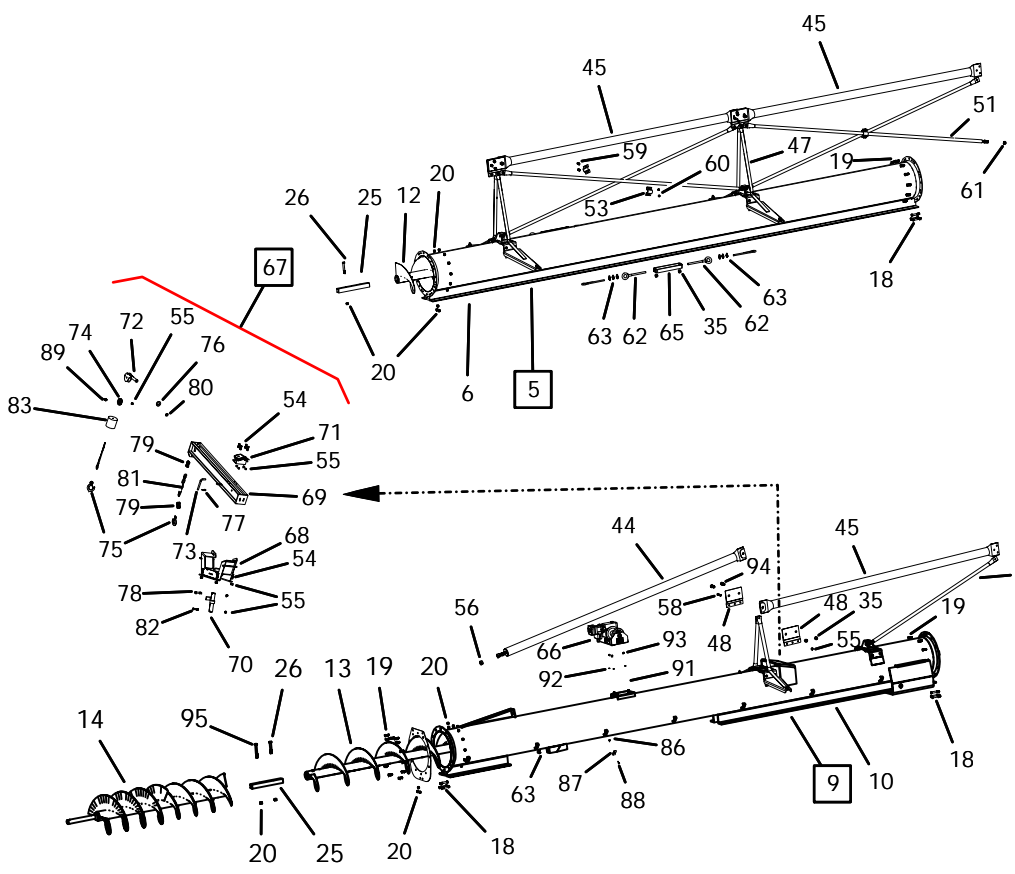
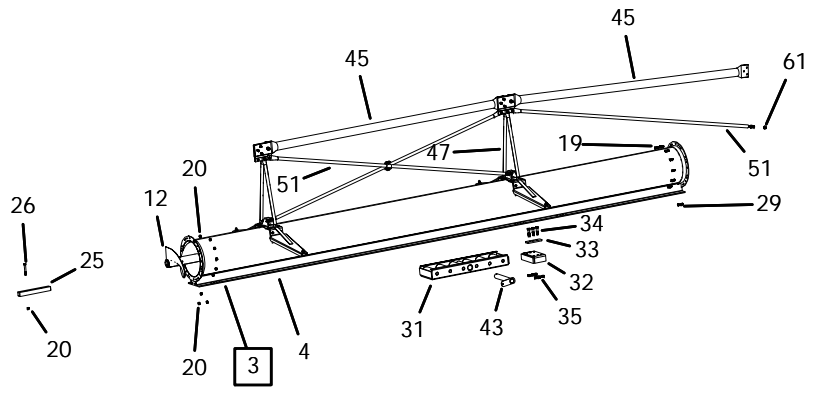
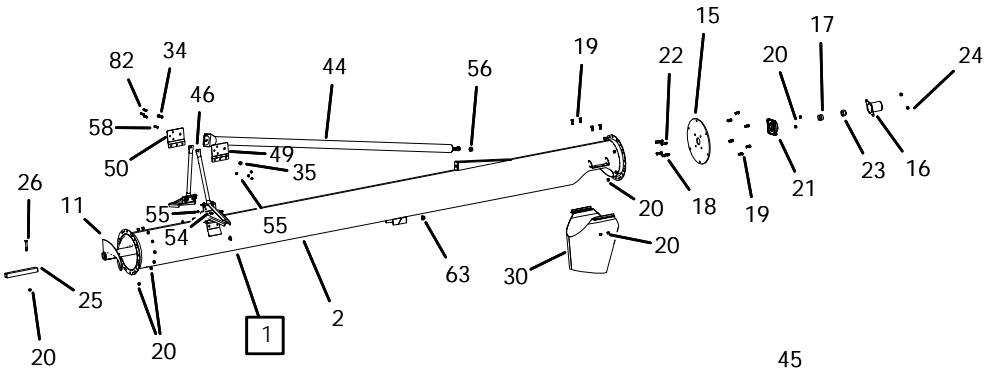




## X160-105 TUBE & TRUSS COMPONENTS

ITEM	PART NO.	DESCRIPTION
1	10-20719WH	X160-85/105/125 UPPER TUBE BDL
2	10-20634WH	X160 UPPER TUBE ONLY
3	10-20718WH	X160 UPPER MIDDLE TUBE BDL
4	10-20627WH	X160 UPPER MIDDLE TUBE ONLY
5	10-20717WH	X160 MIDDLE TUBE BUNDLE
6	10-20623WH	X160 MIDDLE TUBE ONLY
7	10-20734WH	X160-105/125 LWR MID TUBE BDL
8	10-20622WH	X160-105/125 LOWER MID TUBE ONLY
9	10-22452WH	X160-105/125 LOWER TUBE BDL (2016)
10	10-20624WH	X160-105/125 LOWER TUBE ONLY
11	10-20648	MKX160 UPPER FLIGHT
12	10-20618	MKX160 MIDDLE FLIGHT
13	10-22388	MKX160 LOWER FLIGHT (2016)
14	10-22387	MKX160 BOOT FLIGHT (2016)
15	10-20632WH	X160 END PLATE
16	10-20660WH	X160 THRUST ADJUSTER COVER
17	10-21171	BUSHING, THRUST ADJUSTER
18	10-17745	5/8" X 3" NC BOLT GR8 PLTD
19	10-19590	5/8" X 1-1/2" NC BOLT GR 8 PLTD
20	10-19600	5/8" NC NYLON LOCKNUT PLTD
21	10-20015	FHF211-32G-AP BEARING
22	10-27484	5/8" X 2-1/4" NC BOLT GR 8 PLTD
23	10-27587	1-1/2" NF HEX NUT GR 5 PLAIN
24	10-27588	5/8" NC SERRATED FLANGE NUT PLTD
25	10-20635	MKX160 SQUARE SHAFT
26	10-18545	5/8" X 4-1/2" NC BOLT GR 8 PLTD
29	10-27589	5/8" X 2-1/2" NC BOLT GR 8 PLTD
30	10-20631	SPOUT, 16 INCH ROLLED
31	10-20647WH	X160 TRACKSHOE
32	10-20670	MKX160 TRACKSTOP
33	10-21037	MKX160 TRACKSTOP SPACER PLATE
34	10-19978	3/4" X 3" NC BOLT GR 8 PLTD
35	10-19601	3/4" NC NYLON LOCKNUT PLTD
36	10-20747	MKX160-105 HYD CYLINDER ASSEMBLY
37	10-20751	MKX160-105/125 RAM GUIDE
38	10-20744	MKX160 HYDRAULIC CYLINDER PIN
39	10-20749	MKX160-105/125 REAR CYL ATTACH
40	10-20735	MKX160 HALF CLAMP BRACKET
41	10-20736	MKX160 HALF CLAMP BRACKET
42	10-19547	7/16" X 3-1/2" NC BOLT GR 5 PLTD
43	10-20656	MKX160 TRACKSHOE PIN
44	10-20722WH	X160 LONG ADJUST TUBE
45	10-20723WH	X160 TRUSS TUBE
46	10-20659WH	X160 LOW TRUSS TOWER
47	10-20658WH	X160 HIGH TRUSS TOWER
48	10-20737WH	X160 END JOINER PLATE
49	10-20721WH	X160 JOINER PLATE 2 (RIGHT)
50	10-20720WH	X160 JOINER PLATE 1 (LEFT)
51	10-20725WH	X160 TRUSS CROSS BRACE, LONG

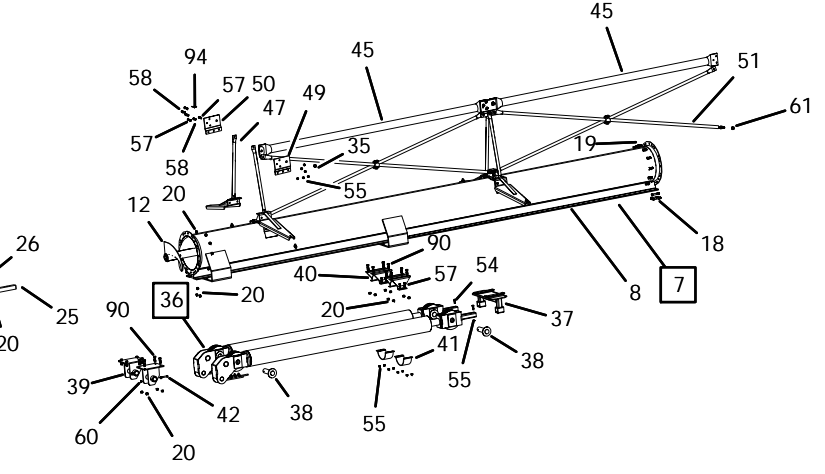
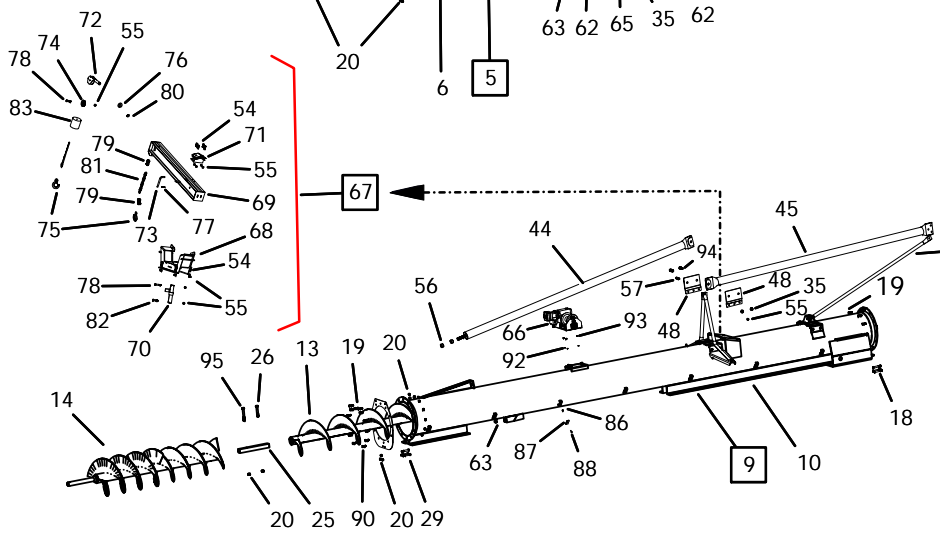
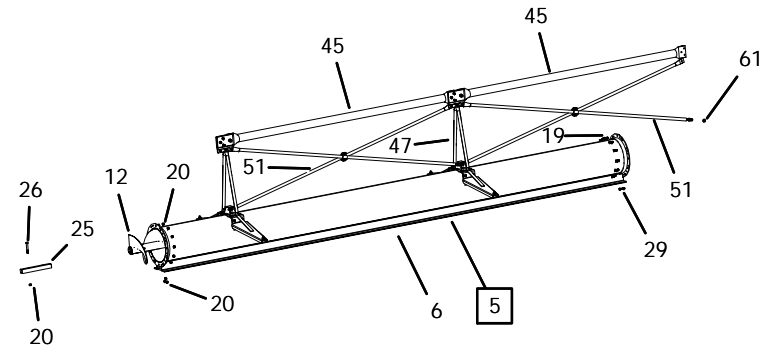
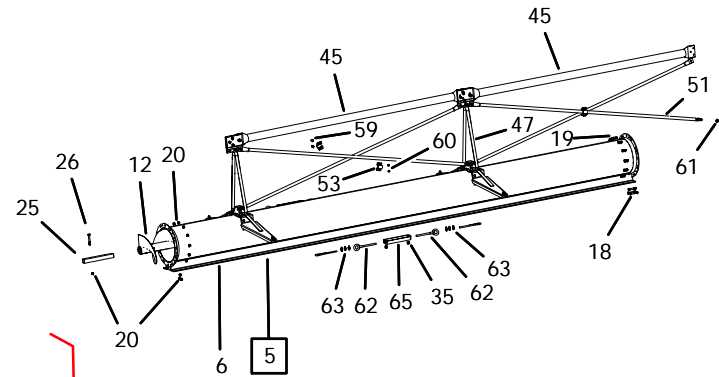
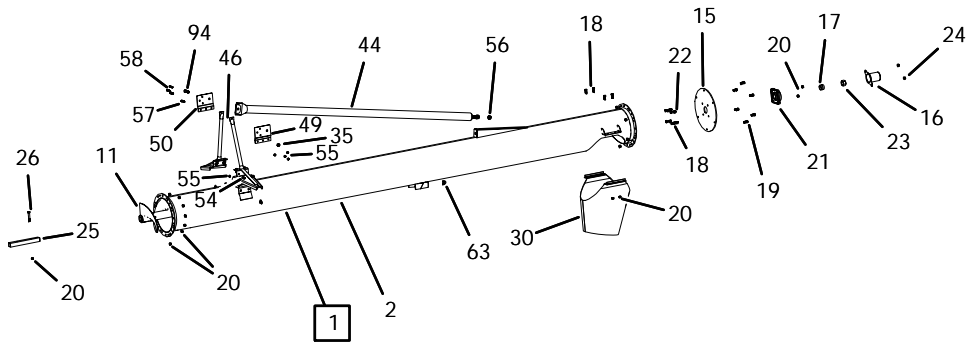
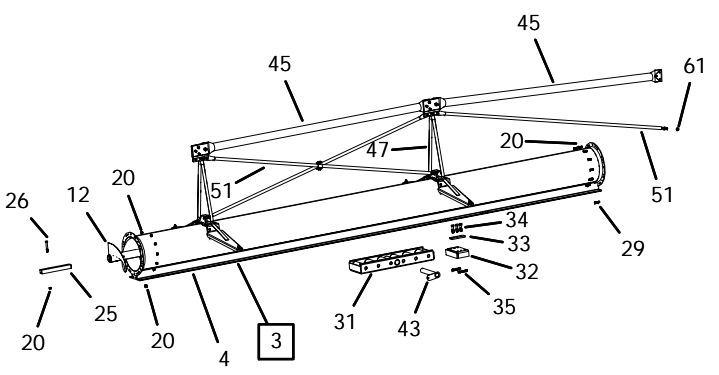
# X160-105 TUBE & TRUSS COMPONENTS



## X160-105 TUBE & TRUSS COMPONENTS

ITEM	PART NO.	DESCRIPTION
52	10-20778WH	X160 SHORT CROSS BRACE
53	10-17655	MK111 CROSS BRACE CLAMP
54	10-19589	1/2" X 1-1/2" NC BOLT GR 8 PLTD
55	10-19599	1/2" NC NYLON LOCKNUT GR 2 PLTD
56	10-20080	1" NC HEX NUT PLTD
57	10-19974	1/2" X 1-3/4" NC BOLT GR 8 PLTD
58	10-20772	1/2" X 2-1/2" GR8 PLTD
59	10-18698	7/16" X 1-1/4" NC BOLT GR 8 PLTD
60	10-19598	7/16" NC NYLON LOCKNUT GR 2 PLTD
61	10-19997	3/4" NC HEX NUT PLTD
62	10-20715	3/4" X 11-1/2" EYE BOLT PLTD (WELD)
63	10-20617	1/2" CABLE CLAMP
64	10-20742	MKX160-125 TRUSS CABLE (NOT SHOWN)
65	10-20729WH	X160 TURN BUCKLE
66	10-17634	HYDRAULIC WINCH ASSEMBLY, RED
67	10-20663	MKX/X16 LIFT ARM ASSY
68	10-20664	MKX160 LIFT ARM BASE
69	10-20665	MKX160 LIFT ARM ONLY
70	10-20667	MKX160 LIFT ARM SWIVEL
71	10-20668	MKX160 LIFT ARM PULLEY GUIDE
72	10-20669	MKX160 CABLE PULLEY CASTOR
73	10-19648	SADDLE PIN
74	10-10713	CABLE PULLEY (PAINTED BLACK)
75	10-28997	1/2T EYE HOIST HOOK PAINTED W/LATCH
76	10-17020	1" FLAT WASHER PLTD
77	10-19463	SNAP PIN
78	10-19798	1/2" X 2-3/4" NC BOLT GR 8 PLTD
79	10-20083	5/16" MID LINK
80	10-29300	SNAP RING
81	10-21432	5/16" GRADE 30 (4 LINKS) CHAIN
82	9900560	1/2" X 2-1/4" NC BOLT GR 5 PLTD
83	10-20793	MKX160 HOPPER WEIGHT
84	10-17376	MK LP HOPPER CABLE (NOT SHOWN)
85	10-19147	1/4" CABLE CLAMP (NOT SHOWN)
86	10-19980	5/16" NC NYLON LOCKNUT PLTD
87	10-20607	MKX160 HYDRAULIC HOSE UPPER CATCH
88	10-17748	5/16" X 1-1/4" NC BOLT GR 2 PLTD
90	10-19991	5/8" X 2" NC BOLT GR 8 PLTD
91	10-18955	3/8" X 1" BOLT NC GR 5 PLTD
92	10-17392	3/8" FLAT WASHER PLTD
93	10-17402	3/8" NC NYLON LOCKNUT
94	10-20774	3/4" X 2-1/2" BOLT GR8 PLTD
95	10-17632	5/8" X 5-1/2" NC BOLT GR8 PLTD

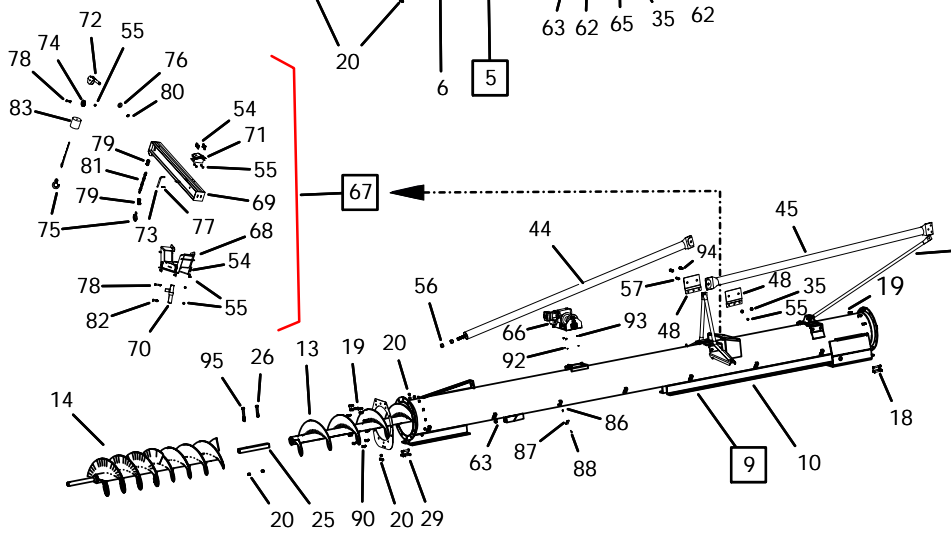
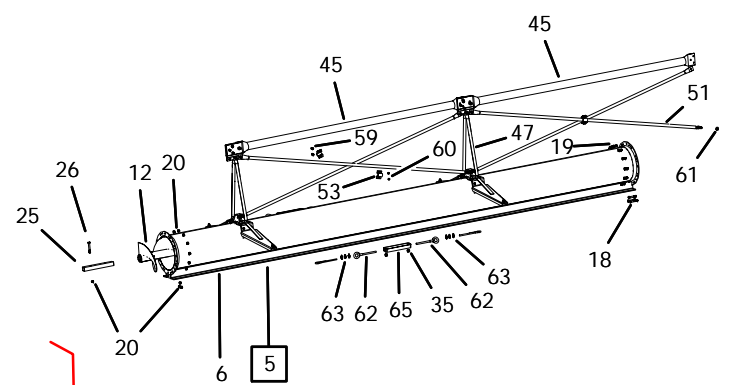
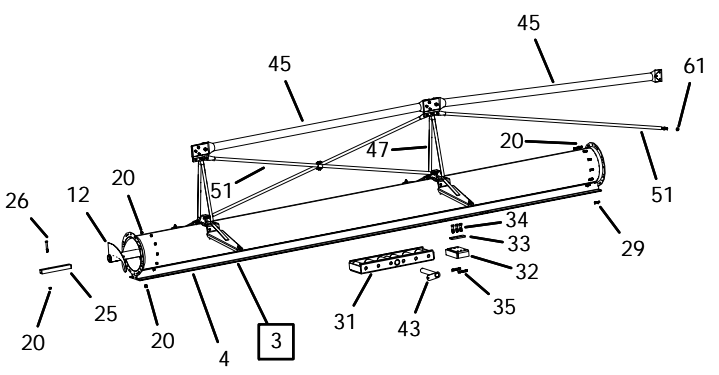
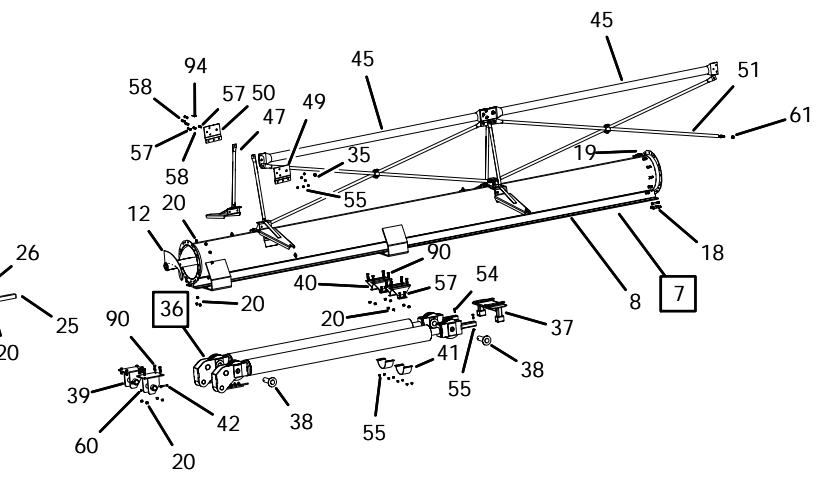
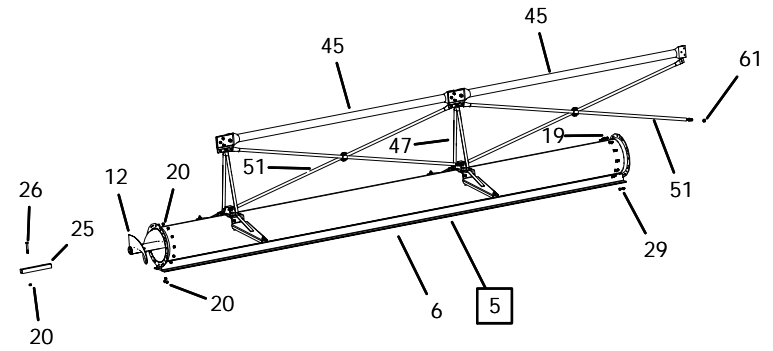
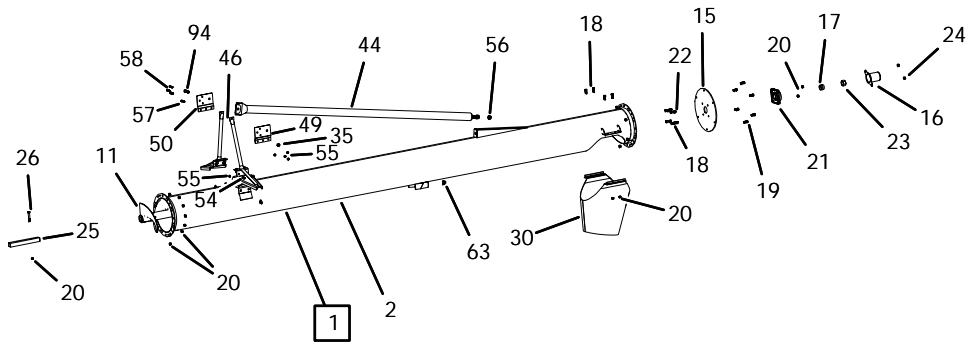
# X160-125 TUBE & TRUSS COMPONENTS



## X160-125 TUBE & TRUSS COMPONENTS

ITEM	PART NO.	DESCRIPTION
1	10-20719WH	X160-85/105/125 UPPER TUBE BDL
2	10-20634WH	X160 UPPER TUBE ONLY
3	10-20718WH	X160 UPPER MIDDLE TUBE BDL
4	10-20627WH	X160 UPPER MIDDLE TUBE ONLY
5	10-20717WH	X160 MIDDLE TUBE BUNDLE
6	10-20623WH	X160 MIDDLE TUBE ONLY
7	10-20734WH	X160-105/125 LWR MID TUBE BDL
8	10-20622WH	X160-105/125 LOWER MID TUBE ONLY
9	10-22452WH	X160-105/125 LOWER TUBE BDL (2016)
10	10-20624WH	X160-105/125 LOWER TUBE ONLY
11	10-20648	MKX160 UPPER FLIGHT
12	10-20618	MKX160 MIDDLE FLIGHT
13	10-22388	MKX160 LOWER FLIGHT (2016)
14	10-22387	MKX160 BOOT FLIGHT (2016)
15	10-20632WH	X160 END PLATE
16	10-20660WH	X160 THRUST ADJUSTER COVER
17	10-21171	BUSHING, THRUST ADJUSTER
18	10-17745	5/8" X 3" NC BOLT GR8 PLTD
19	10-19590	5/8" X 1-1/2" NC BOLT GR 8 PLTD
20	10-19600	5/8" NC NYLON LOCKNUT PLTD
21	10-20015	FHF211-32G-AP BEARING
22	10-27484	5/8" X 2-1/4" NC BOLT GR 8 PLTD
23	10-27587	1-1/2" NF HEX NUT GR 5 PLAIN
24	10-27588	5/8" NC SERRATED FLANGE NUT PLTD
25	10-20635	MKX160 SQUARE SHAFT
26	10-18545	5/8" X 4-1/2" NC BOLT GR 8 PLTD
29	10-27589	5/8" X 2-1/2" NC BOLT GR 8 PLTD
30	10-20631	SPOUT, 16 INCH ROLLED
31	10-20647WH	X160 TRACKSHOE
32	10-20670	MKX160 TRACKSTOP
33	10-21037	MKX160 TRACKSTOP SPACER PLATE
34	10-19978	3/4" X 3" NC BOLT GR 8 PLTD
35	10-19601	3/4" NC NYLON LOCKNUT PLTD
36	10-20799	MKX160-125 HYD CYLINDER ASSEMBLY
37	10-20751	MKX160-105/125 RAM GUIDE
38	10-20744	MKX160 HYDRAULIC CYLINDER PIN
39	10-20749	MKX160-105/125 REAR CYL ATTACH
40	10-20735	MKX160 HALF CLAMP BRACKET
41	10-20736	MKX160 HALF CLAMP BRACKET
42	10-19547	7/16" X 3-1/2" NC BOLT GR 5 PLTD
43	10-20656	MKX160 TRACKSHOE PIN
44	10-20722WH	X160 LONG ADJUST TUBE
45	10-20723WH	X160 TRUSS TUBE
46	10-20659WH	X160 LOW TRUSS TOWER
47	10-20658WH	X160 HIGH TRUSS TOWER
48	10-20737WH	X160 END JOINER PLATE
49	10-20721WH	X160 JOINER PLATE 2 (RIGHT)
50	10-20720WH	X160 JOINER PLATE 1 (LEFT)
51	10-20725WH	X160 TRUSS CROSS BRACE, LONG

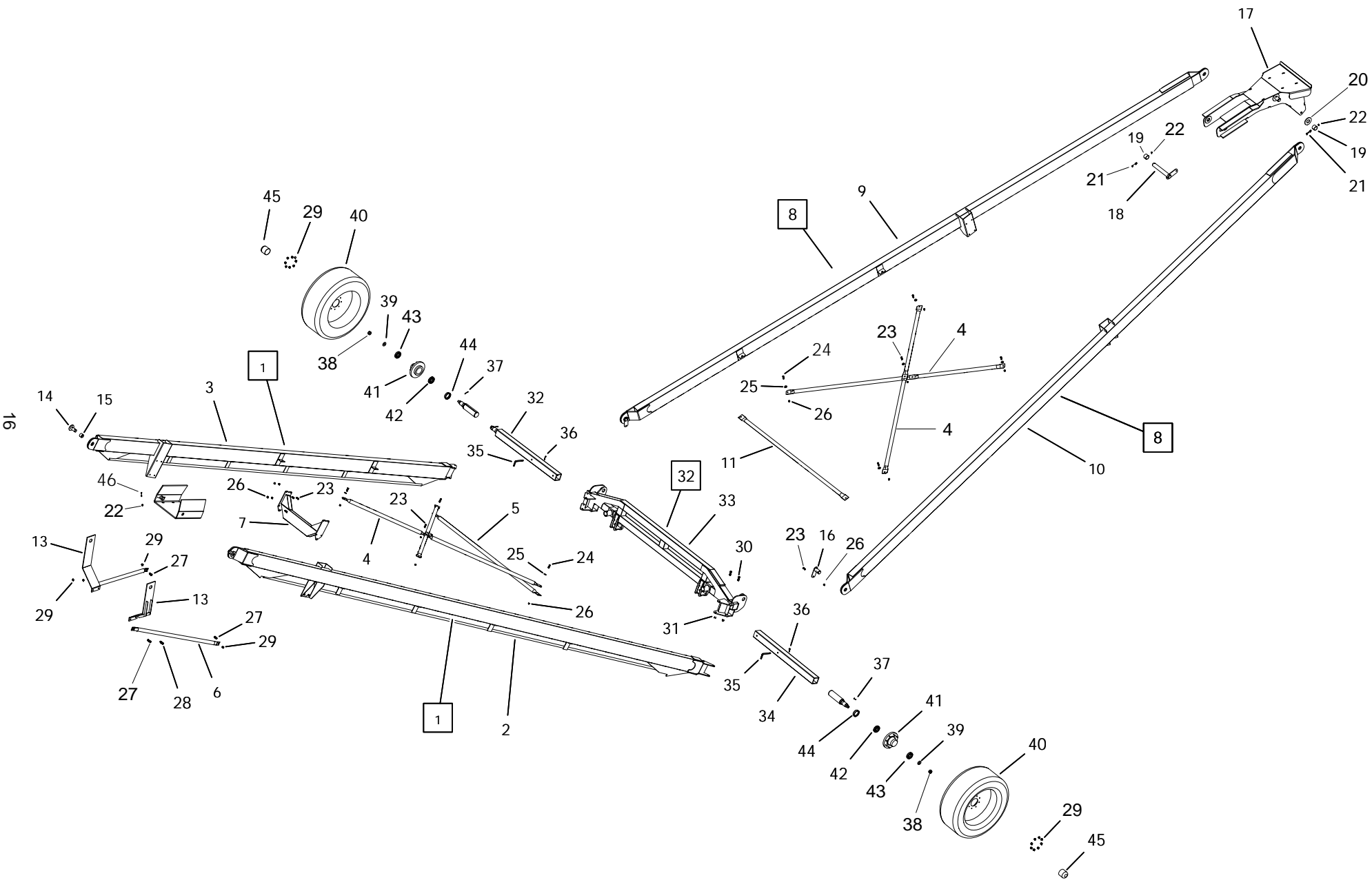
# X160-125 TUBE & TRUSS COMPONENTS



## X160-125 TUBE & TRUSS COMPONENTS

ITEM	PART NO.	DESCRIPTION
52	10-20778WH	X160 SHORT CROSS BRACE
53	10-17655	MK111 CROSS BRACE CLAMP
54	10-19589	1/2" X 1-1/2" NC BOLT GR 8 PLTD
55	10-19599	1/2" NC NYLON LOCKNUT GR 2 PLTD
56	10-20080	1" NC HEX NUT PLTD
57	10-19974	1/2" X 1-3/4" NC BOLT GR 8 PLTD
58	10-20772	1/2" X 2-1/2" GR8 PLTD
59	10-18698	7/16" X 1-1/4" NC BOLT GR 8 PLTD
60	10-19598	7/16" NC NYLON LOCKNUT GR 2 PLTD
61	10-19997	3/4" NC HEX NUT PLTD
62	10-20715	3/4" X 11-1/2" EYE BOLT PLTD (WELD)
63	10-20617	1/2" CABLE CLAMP
64	10-20741	MKX160-125 TRUSS CABLE (NOT SHOWN)
65	10-20729WH	X160 TURN BUCKLE
66	10-17634	HYDRAULIC WINCH ASSEMBLY, RED
67	10-20663	MKX/X16 LIFT ARM ASSY
68	10-20664	MKX160 LIFT ARM BASE
69	10-20665	MKX160 LIFT ARM ONLY
70	10-20667	MKX160 LIFT ARM SWIVEL
71	10-20668	MKX160 LIFT ARM PULLEY GUIDE
72	10-20669	MKX160 CABLE PULLEY CASTOR
73	10-19648	SADDLE PIN
74	10-10713	CABLE PULLEY (PAINTED BLACK)
75	10-28997	1/2T EYE HOIST HOOK PAINTED W/LATCH
76	10-17020	1" FLAT WASHER PLTD
77	10-19463	SNAP PIN
78	10-19798	1/2" X 2-3/4" NC BOLT GR 8 PLTD
79	10-20083	5/16" MID LINK
80	10-29300	SNAP RING
81	10-21432	5/16" GRADE 30 (4 LINKS) CHAIN
82	9900560	1/2" X 2-1/4" NC BOLT GR 5 PLTD
83	10-20793	MKX160 HOPPER WEIGHT
84	10-17376	MK LP HOPPER CABLE (NOT SHOWN)
85	10-19147	1/4" CABLE CLAMP (NOT SHOWN)
86	10-19980	5/16" NC NYLON LOCKNUT PLTD
87	10-20607	MKX160 HYDRAULIC HOSE UPPER CATCH
88	10-17748	5/16" X 1-1/4" NC BOLT GR 2 PLTD
90	10-19991	5/8" X 2" NC BOLT GR 8 PLTD
91	10-18955	3/8" X 1" BOLT NC GR 5 PLTD
92	10-17392	3/8" FLAT WASHER PLTD
93	10-17402	3/8" NC NYLON LOCKNUT
94	10-20774	3/4" X 2-1/2" BOLT GR8 PLTD
95	10-17632	5/8" X 5-1/2" NC BOLT GR8 PLTD

# X160-85 FRAME COMPONENTS

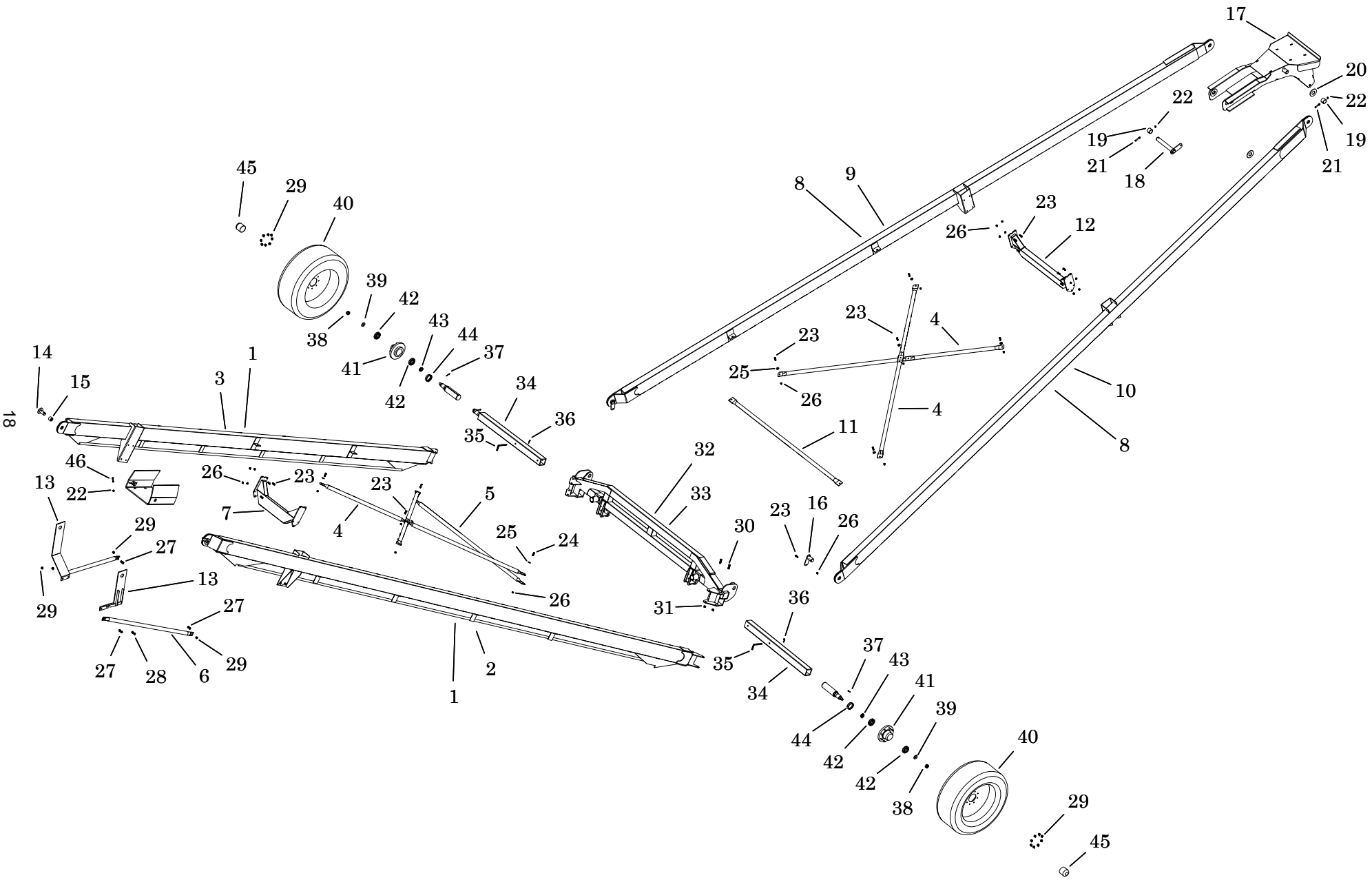




## X160-85 FRAME COMPONENTS

ITEM	PART NO.	DESCRIPTION
1	10-20874	X160-85 LOWER FRAME BUNDLE
2	10-20708WH	X160-85 LOWER ARM RH
3	10-20709WH	X160-85 LOWER ARM LH
4	10-20281WH	FRAME CROSS BRACE
5	10-20359WH	X1685 LOWER TIE TUBE
6	10-20255WH	STABALIZER BRACE
7	10-20646WH	X160 SHORT CROSS MEMBER
8	10-20877	X160-85 UPPER FRAME BUNDLE
9	10-20763WH	X160 UPPER ARM LH
10	10-20763WH	X160 UPPER ARM RH
11	10-20727WH	X160 UPPER TIE TUBE
13	10-20625WH	X160 STABALIZER BRACKET
14	10-20682	MKX160 TUBE FRAME ATTACH PIN
15	10-20661	MKX160 LOWER FRAME ATTACH BUSHING
16	10-20681	MKX160 AXLE FRAME PIN
17	10-20674WH	X160 LIFT ASSIST
18	10-20656	MKX160 TRACKSHOE PIN
19	10-20654	MKX160 TRACKSHOE BUSHING
20	10-20724	2" SAE FLAT WASHER PLTD
21	10-19547	7/16" X 3-1/2" NC BOLT GR 5 PLTD
22	10-19598	7/16" NC NYLON LOCKNUT GR 2 PLTD
23	10-19589	1/2" X 1-1/2" NC BOLT GR 8 PLTD
24	10-19974	1/2" X 1-3/4" NC BOLT GR 8 PLTD
25	10-17401	1/2" FLAT WASHER PLTD
26	10-19599	1/2" NC NYLON LOCKNUT GR 2 PLTD
27	10-19991	5/8" X 2" NC BOLT GR 8 PLTD
28	10-27484	5/8" X 2-1/4" NC BOLT GR 8 PLTD
29	10-19600	5/8" NC NYLON LOCKNUT PLTD
30	10-19592	3/4" X 2" NC BOLT GR 8 PLTD
31	10-19601	3/4" NC NYLON LOCKNUT PLTD
32	10-20642WH	X16 AXLE ASSEMBLY
33	10-20641WH	X160 AXLE
34	10-20645WH	X160 AXLE EXTENSION
35	10-20832	MKX160 AXLE PIN
36	10-19463	210 HITCH PIN
37	10-17757	3/16" X 1-3/4" COTTER PIN PLTD
38	10-17011	1" NF SLOTTED NUT PLAIN
39	10-20833	MKX160 HUB WASHER
40	10-20621	385/65R22.5 RECAPED WHEEL ASSEMBLY
41	10-20620	8000LB 8 BOLT IMP HUB ASSM STUDDER
42	10-21433	MKX/X160 HUB BEARING, LARGE
42A	10-22003	MKX/X160 BEARING CUP, LARGE
43	10-21434	MKX/X160 HUB BEARING SMALL
43A	10-22004	MKX/X160 BEARING CUP, SMALL
44	10-21435	MKX/X160 HUB SEAL
45	10-21436	MKX/X160 HUB DUST CAP
46	10-19546	7/16" X 3" NC BOLT GR 5 PLTD

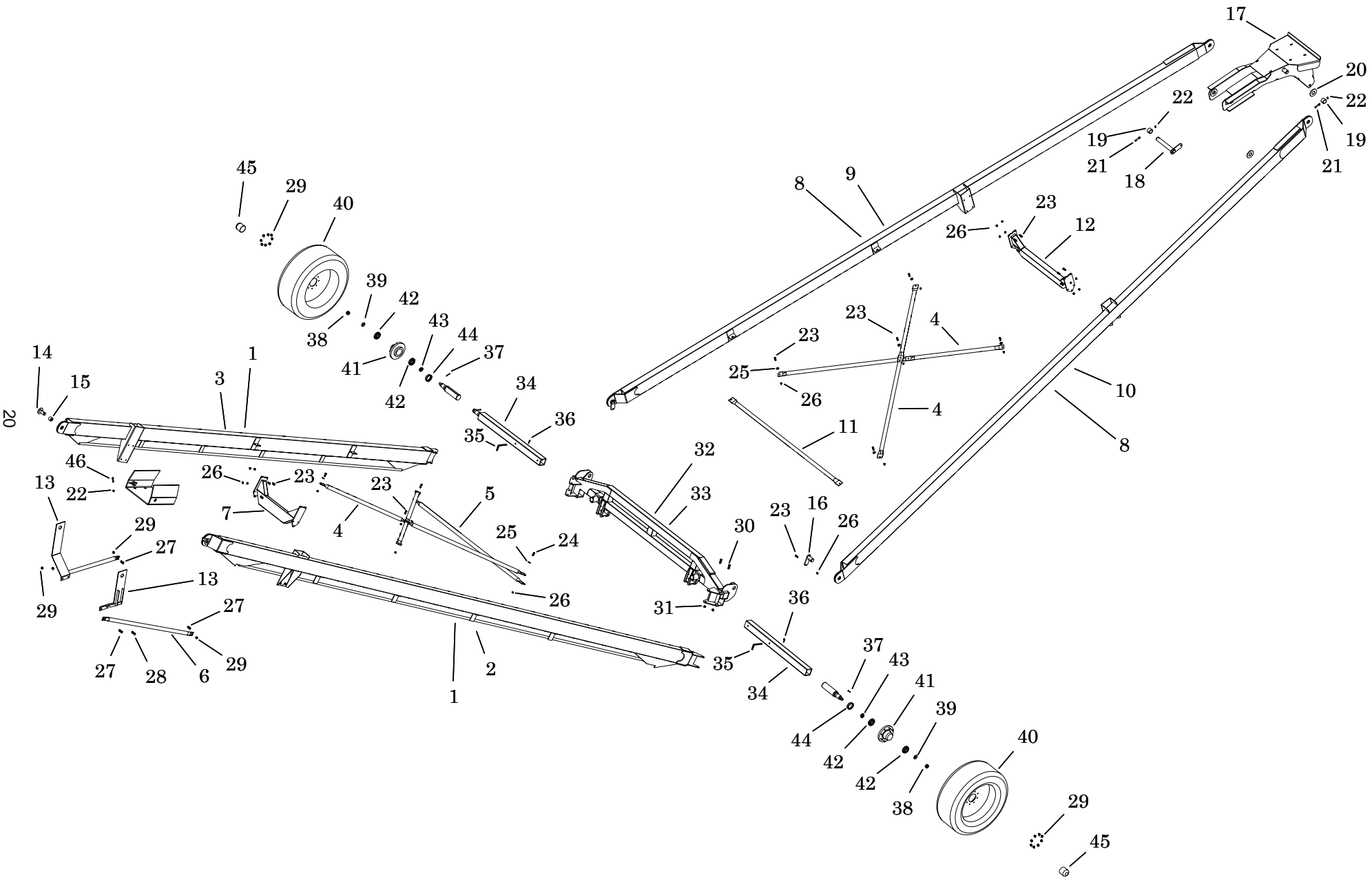
# X160-105 FRAME COMPONENTS



## X160-105 FRAME COMPONENTS

ITEM	PART NO.	DESCRIPTION
1	10-20875	X160-105 LOWER FRAME BUNDLE
2	10-20626WH	X160-105 LOWER ARM RH
3	10-20630WH	X160-105 LOWER ARM LH
4	10-20378WH	FRAME CROSS BRACE
5	10-20640WH	X160 LOWER TIE TUBE
6	10-20255WH	STABALIZER BRACE
7	10-20646WH	X160 SHORT CROSS MEMBER
8	10-20878	X160-105 UPPER FRAME BUNDLE
9	10-20672WH	X160 UPPER ARM LH
10	10-20673WH	X160 UPPER ARM RH
11	10-20677WH	X160 UPPER TIE TUBE
12	10-20646WH	X160 SHORT CROSS MEMBER
13	10-20625WH	X160 STABALIZER BRACKET
14	10-20682	MKX160 TUBE FRAME ATTACH PIN
15	10-20661	MKX160 LOWER FRAME ATTACH BUSHING
16	10-20681	MKX160 AXLE FRAME PIN
17	10-20674WH	X160 LIFT ASSIST
18	10-20656	MKX160 TRACKSHOE PIN
19	10-20654	MKX160 TRACKSHOE BUSHING
20	10-20724	2" SAE FLAT WASHER PLTD
21	10-19547	7/16" X 3-1/2" NC BOLT GR 5 PLTD
22	10-19598	7/16" NC NYLON LOCKNUT GR 2 PLTD
23	10-19589	1/2" X 1-1/2" NC BOLT GR 8 PLTD
24	10-19974	1/2" X 1-3/4" NC BOLT GR 8 PLTD
25	10-17401	1/2" FLAT WASHER PLTD
26	10-19599	1/2" NC NYLON LOCKNUT GR 2 PLTD
27	10-19991	5/8" X 2" NC BOLT GR 8 PLTD
28	10-27484	5/8" X 2-1/4" NC BOLT GR 8 PLTD
29	10-19600	5/8" NC NYLON LOCKNUT PLTD
30	10-19592	3/4" X 2" NC BOLT GR 8 PLTD
31	10-19601	3/4" NC NYLON LOCKNUT PLTD
32	10-20642WH	X16 AXLE ASSEMBLY
33	10-20641WH	X160 AXLE
34	10-20645WH	X160 AXLE EXTENSION
35	10-20832	MKX160 AXLE PIN
36	10-19463	210 HITCH PIN
37	10-17757	3/16" X 1-3/4" COTTER PIN PLTD
38	10-17011	1" NF SLOTTED NUT PLAIN
39	10-20833	MKX160 HUB WASHER
40	10-20621	385/65R22.5 RECAPED WHEEL ASSEMBLY
41	10-20620	8000LB 8 BOLT IMP HUB ASSM STUDDER
42	10-21433	MKX/X160 HUB BEARING, LARGE
42A	10-22003	MKX/X160 BEARING CUP, LARGE
43	10-21434	MKX/X160 HUB BEARING SMALL
43A	10-22004	MKX/X160 BEARING CUP, SMALL
44	10-21435	MKX/X160 HUB SEAL
45	10-21436	MKX/X160 HUB DUST CAP
46	10-19546	7/16" X 3" NC BOLT GR 5 PLTD

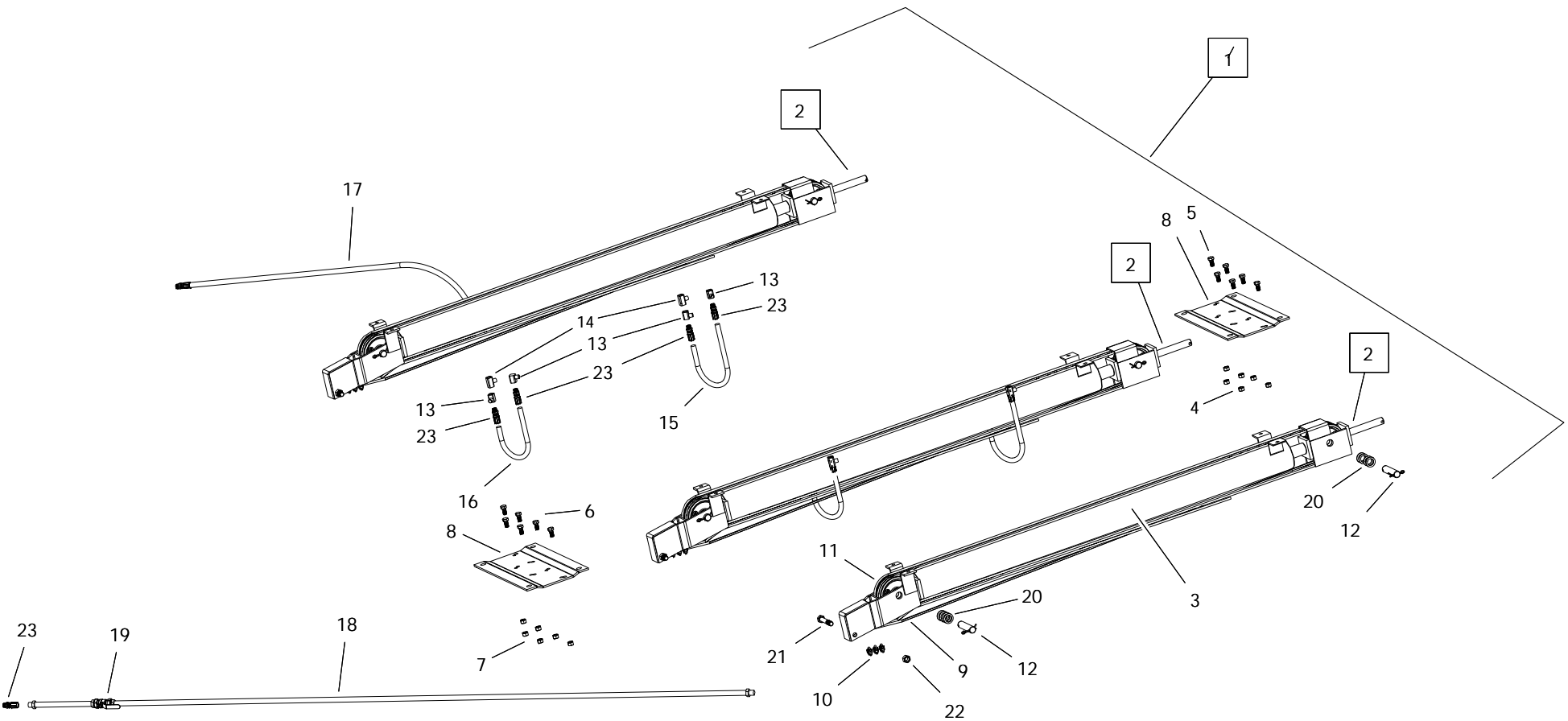
# X160-125 FRAME COMPONENTS



## X160-125 FRAME COMPONENTS

ITEM	PART NO.	DESCRIPTION
1	10-20876	X160-125 LOWER FRAME BUNDLE
2	10-20701WH	X160-125 LOWER ARM RH
3	10-20702WH	X160-125 LOWER ARM LH
4	10-20378WH	FRAME CROSS BRACE
5	10-20726WH	X160-125 LOWER TIE TUBE
6	10-20255WH	STABALIZER BRACE
7	10-20646WH	X160-125 SHORT CROSS MEMBER
8	10-20879	X160-125 UPPER FRAME BUNDLE
9	10-20704WH	X160-125 UPPER ARM LH
10	10-20703WH	X160-125 UPPER ARM RH
11	10-20769WH	X160-125 UPPER TIE TUBE
12	10-20750WH	X160-125 SHORT CROSS MEMBER
13	10-20625WH	X160 STABALIZER BRACKET
14	10-20682	MKX160 TUBE FRAME ATTACH PIN
15	10-20661	MKX160 LOWER FRAME ATTACH BUSHING
16	10-20681	MKX160 AXLE FRAME PIN
17	10-20674WH	X160 LIFT ASSIST
18	10-20656	MKX160 TRACKSHOE PIN
19	10-20654	MKX160 TRACKSHOE BUSHING
20	10-20724	2" SAE FLAT WASHER PLTD
21	10-19547	7/16" X 3-1/2" NC BOLT GR 5 PLTD
22	10-19598	7/16" NC NYLON LOCKNUT GR 2 PLTD
23	10-19589	1/2" X 1-1/2" NC BOLT GR 8 PLTD
24	10-19974	1/2" X 1-3/4" NC BOLT GR 8 PLTD
25	10-17401	1/2" FLAT WASHER PLTD
26	10-19599	1/2" NC NYLON LOCKNUT GR 2 PLTD
27	10-19991	5/8" X 2" NC BOLT GR 8 PLTD
28	10-27484	5/8" X 2-1/4" NC BOLT GR 8 PLTD
29	10-19600	5/8" NC NYLON LOCKNUT PLTD
30	10-19592	3/4" X 2" NC BOLT GR 8 PLTD
31	10-19601	3/4" NC NYLON LOCKNUT PLTD
32	10-20642WH	X16 AXLE ASSEMBLY
33	10-20641WH	X160 AXLE
34	10-20645WH	X160 AXLE EXTENSION
35	10-20832	MKX160 AXLE PIN
36	10-19463	210 HITCH PIN
37	10-17757	3/16" X 1-3/4" COTTER PIN PLTD
38	10-17011	1" NF SLOTTED NUT PLAIN
39	10-20833	MKX160 HUB WASHER
40	10-20621	385/65R22.5 RECAPED WHEEL ASSEMBLY
41	10-20620	8000LB 8 BOLT IMP HUB ASSM STUDDER
42	10-21433	MKX/X160 HUB BEARING, LARGE
42A	10-22003	MKX/X160 BEARING CUP, LARGE
43	10-21434	MKX/X160 HUB BEARING SMALL
43A	10-22004	MKX/X160 BEARING CUP, SMALL
44	10-21435	MKX/X160 HUB SEAL
45	10-21436	MKX/X160 HUB DUST CAP
46	10-19546	7/16" X 3" NC BOLT GR 5 PLTD

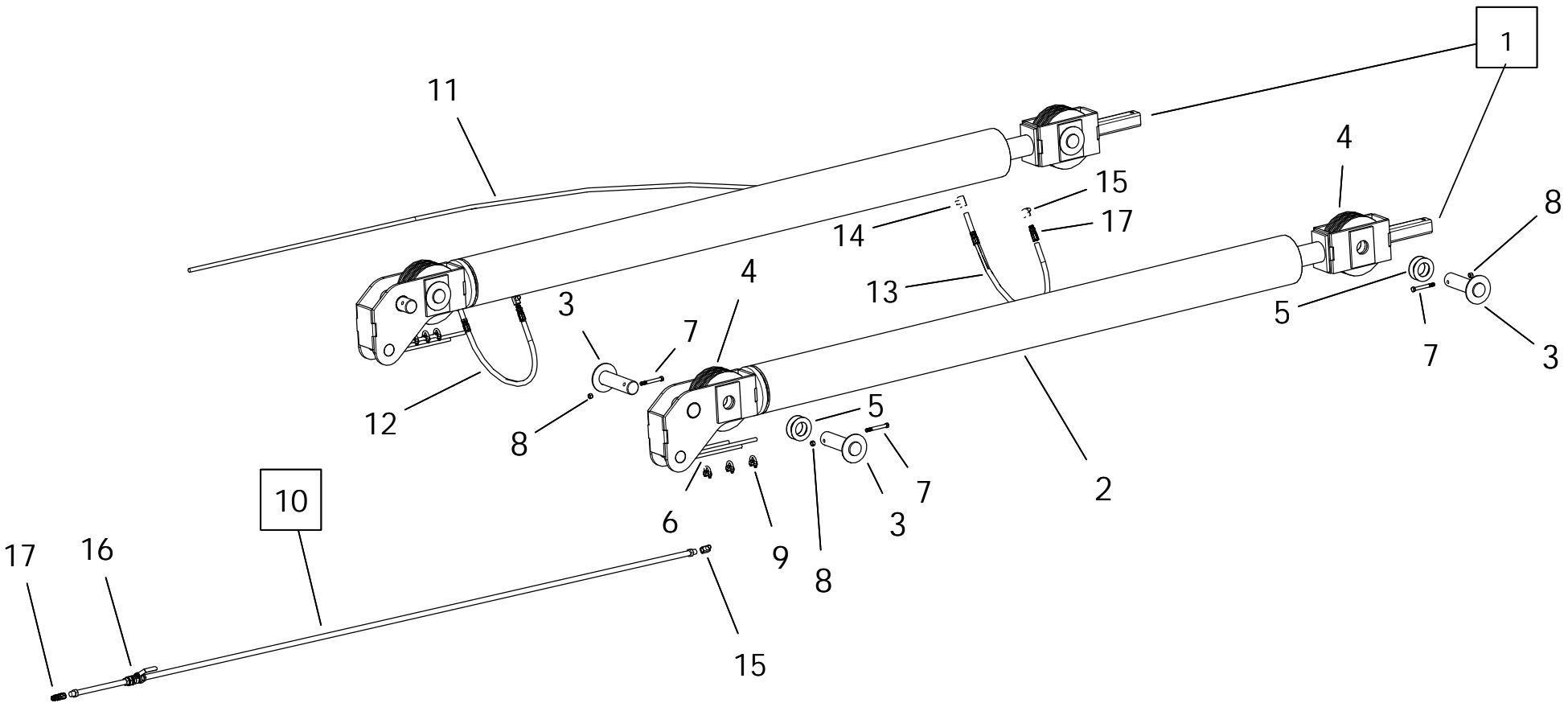
# X160-85 HYDRAULIC HOSE COMPONENTS



## X160-85 HYDRAULIC HOSE COMPONENTS

ITEM	PART NO.	DESCRIPTION
1	10-20733	MKX160-85 HYD CYLINDER BDL
2	10-20770	MKX160-85 CYLINDER ASSEMBLY
3	10-17388	MK91 CYLINDER ONLY
4	10-19599	1/2" NC NYLON LOCKNUT GR 2 PLTD
5	10-19588	1/2" X 1-1/4" NC BOLT GR 5 PLTD
6	10-18698	7/16" X 1-1/4" NC BOLT GR 8 PLTD
7	10-17593	7/16" NC NYLON LOCKNUT GR 5 PLTD
8	10-20732	MKX160-85 CYLINDER MOUNT BRACKET
9	4504072	5/16" STEEL CABLE, 90' LONG
10	10-19333	5/16" CABLE CLAMP (YELLOW ZINC)
11	10-19918	PULLEY, 5-1/2" CYLINDER
12	10-18089	PULLEY SPINDLE
13	10-18087	X115-C STREET ELBOW
14	10-18736	3/8" STREET TEE
15	10-17468	3/8" X 32 HYDRAULIC HOSE
16	10-18739	3/8" X 16" HYDRAULIC HOSE
17	10-20758	MKX160X85 CYL RETURN HOSE (396)
18	10-20757	MKX160X 85 CYL HOSE ASSEMBLY
19	10-28475	1/2 BALL VALVE F/FNPT
20	10-18097	1" RIM WASHER PLTD
21	10-18093	5/8" X 3-1/2" NC BOLT GR 5 PLTD
22	10-19600	5/8" NC NYLON LOCKNUT PLTD
23	9900047	PIONEER COUPLER
24	10-18088	P245-6POROUS BRONZE BUSHING (NOT SHOWN)
25	10-18098	1/4" X 1-3/4" COTTER PIN PLTD

# X160-105 HYDRAULIC HOSE COMPONENTS

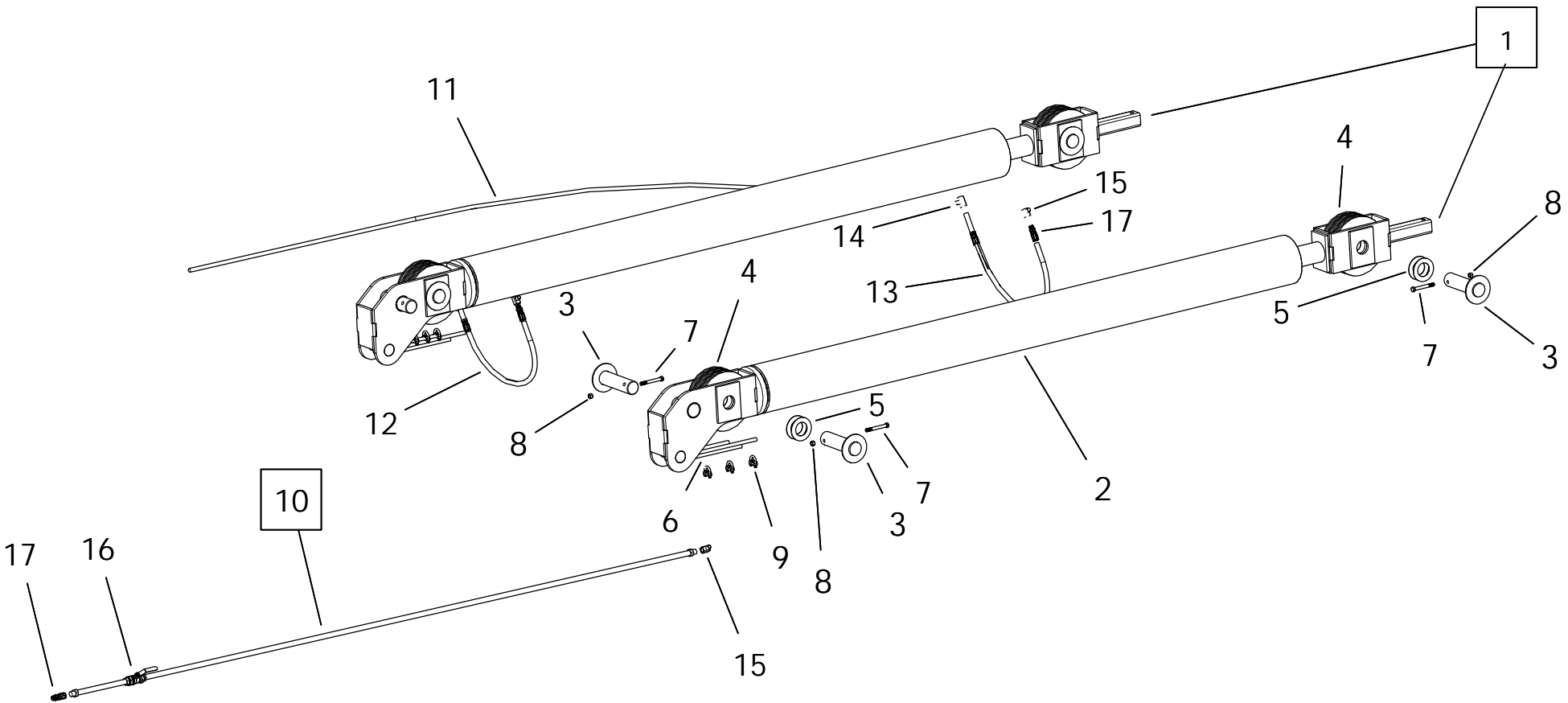




## X160-105 HYDRAULIC HOSE COMPONENTS

ITEM	PART NO.	DESCRIPTION
1	10-20747	MKX160-105 HYD CYLINDER ASSEMBLY
2	10-20743	MKX160-105/125 HYD CYLINDER ONLY
3	10-20744	MKX160 HYDRAULIC CYLINDER PIN
4	10-20748	MKX160 HYD CYLINDER PULLEY
5	10-20794	MKX160 HYD CYLINDER WASHER
6	10-20797	MKX160 LIFT CABLE
7	10-19547	7/16" X 3-1/2" NC BOLT GR 5 PLTD
8	10-19598	7/16" NC NYLON LOCKNUT GR 2 PLTD
9	10-20606	1/2" CABLE CLAMP (DROP FORGED)
10	10-20759	MKX CYL HOSE ASSEMBLY
11	10-20760	MKX160-105/125 HYD RETURN HOSE
12	10-20795	MKX160 CONN HOSE 1 (1/2" X 36")
13	10-20796	MKX160 CONN HOSE 2 (1/2" X 48")
14	10-28480	STEEL TEE 1/2NPSMX1/2MNPTX1/2NPSM
15	10-28654	#8 M-ORB-1/2F-NPT-90DEG FITTING
16	10-28475	1/2 BALL VALVE F/FNPT
17	9900047	PIONEER COUPLER
18	10-21545	2" X 2-1/4" X 1" POROUS BRONZE BUSHING (NOT SHOWN)
19	10-21546	CYLINDER, SEAL REPAIR KIT (NOT SHOWN)
20	10-21547	CHECK VALVE (NOT SHOWN)
21	1200024	1/4" HOSE CLAMP (NOT SHOWN)

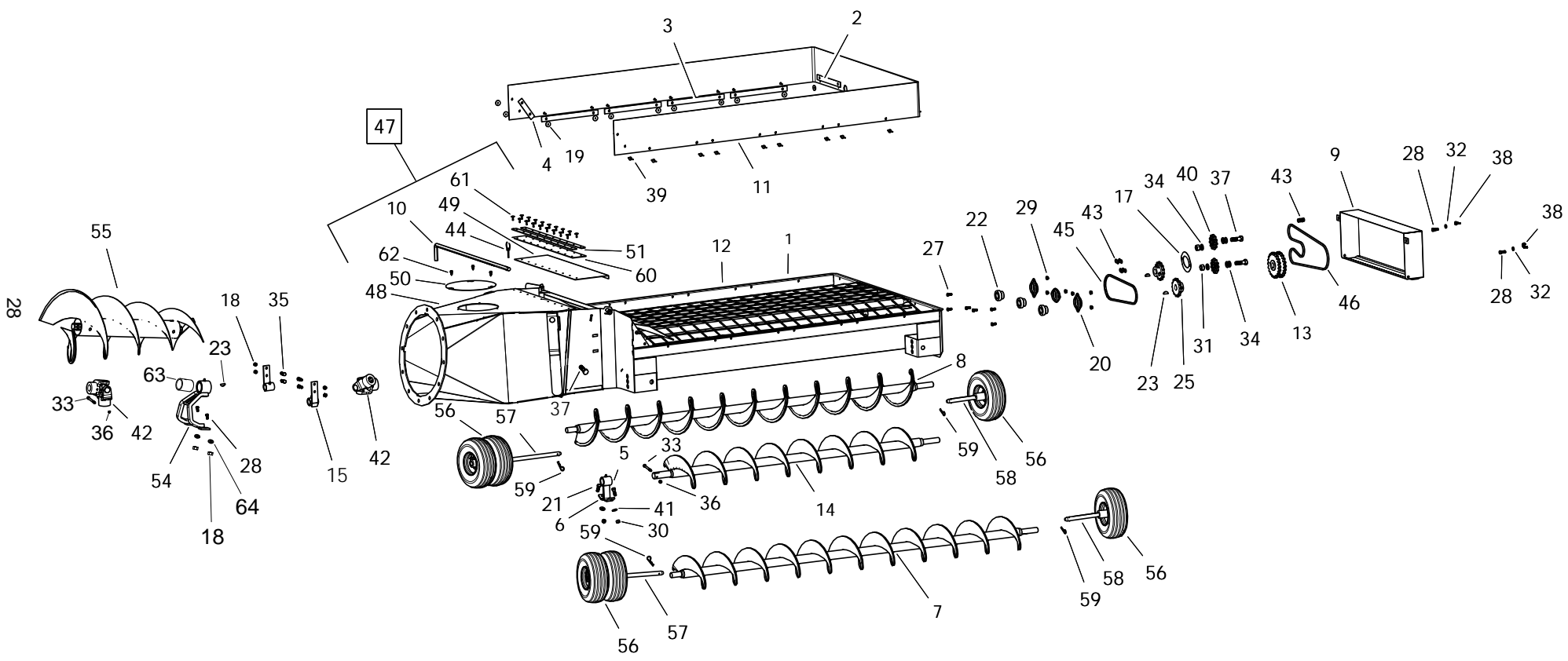
# X160-125 HYDRAULIC HOSE COMPONENTS



## X160-125 HYDRAULIC HOSE COMPONENTS

ITEM	PART NO.	DESCRIPTION
1	10-20799	MKX160-125 HYD CYLINDER ASSEMBLY
2	10-20743	MKX160-105/125 HYD CYLINDER ONLY
3	10-20744	MKX160 HYDRAULIC CYLINDER PIN
4	10-20748	MKX160 HYD CYLINDER PULLEY
5	10-20794	MKX160 HYD CYLINDER WASHER
6	10-20798	MKX160 LIFT CABLE
7	10-19547	7/16" X 3-1/2" NC BOLT GR 5 PLTD
8	10-19598	7/16" NC NYLON LOCKNUT GR 2 PLTD
9	10-20606	1/2" CABLE CLAMP (DROP FORGED)
10	10-20761	MKX CYL HOSE ASSEMBLY
11	10-20762	MKX160-105/125 HYD RETURN HOSE
12	10-20795	MKX160 CONN HOSE 1 (1/2" X 36")
13	10-20796	MKX160 CONN HOSE 2 (1/2" X 48")
14	10-28480	STEEL TEE 1/2NPSMX1/2MNPTX1/2NPSM
15	10-28654	#8 M-ORB-1/2F-NPT-90DEG FITTING
16	10-28475	1/2 BALL VALVE F/FNPT
17	9900047	PIONEER COUPLER
18	10-21545	2" X 2-1/4" X 1" POROUS BRONZE BUSHING (NOT SHOWN)
19	10-21546	CYLINDER, SEAL REPAIR KIT (NOT SHOWN)
20	10-21547	CHECK VALVE (NOT SHOWN)
21	1200024	1/4" HOSE CLAMP (NOT SHOWN)

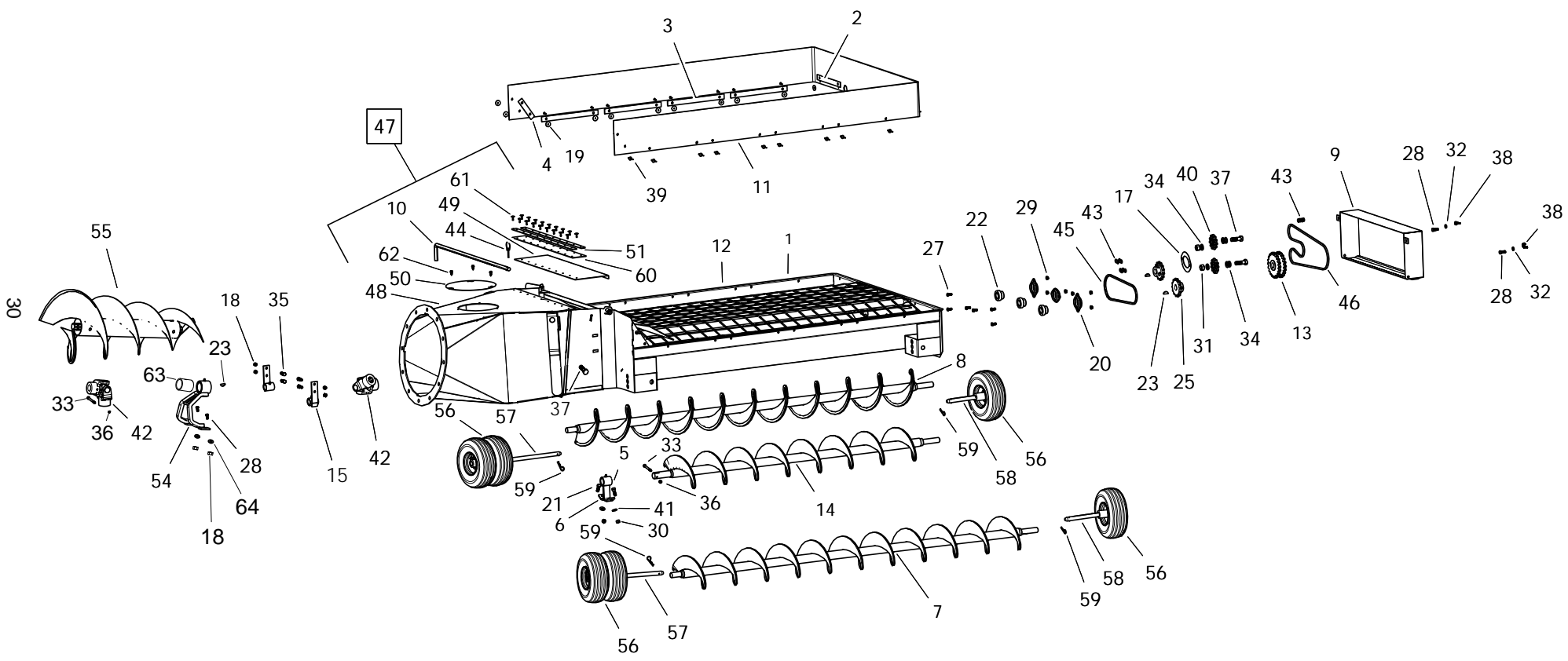
# HOPPER COMPONENTS



# HOPPER COMPONENTS

ITEM	PART NO.	DESCRIPTION
1	10-20568	MKX/X16 HOPPER ASSEMBLY
2	10-17358	10-1/2 BELT ATTACH
3	10-18054	13 BELT ATTACH
4	10-18878	4-3/4 STRAP 11843
5	10-20574	MKX160 CENTRE SUPPORT
7	10-20576	MKX160 LONG HOPPER FLIGHT RH
8	10-20577	MKX160 LP HOPPER FLIGHT LH
9	10-20578	MKX160 HOPPER CHAIN COVER
10	10-20579	MKX160 HOPPER DOOR PIN
11	10-20580	MKX160 LP RUBBER BELTING
12	10-20581	MKX160 HOPPER ONLY
13	10-20650	MKX160 DOUBLE SPROCKET COMPLETE
14	10-20651	MKX160 HOPPER CENTER FLIGHT
15	10-20728	MKX160 TOP MOUNT BUSHING ASSY
17	10-20902	MKX160 BEARING SUPPORT PLATE
18	10-17402	3/8" NC NYLON LOCKNUT PLTD
19	10-18186	1" X 13/64" X 18 GA WASHER PLTD
20	10-18694	T52MST ZP FLANGE PLATED FINISH
21	10-18698	7/16" X 1-1/4" NC BOLT GR 8 PLTD
22	10-18817	EFH205-16 BEARING
23	10-19224	1/4" X 1" WOODRUFF KEY
24	10-19225	3/8"UNC-X3/8"SETSCREW REGULAR CUP
25	10-19430	60B14 X 1 SPROCKET
26	10-19433	#60 CONNECTOR LINK
27	10-19538	5/16" X 3/4" NC BOLT GR 2 PLTD
28	10-18955	3/8" X 1" NC BOLT GR 5 PLTD
29	10-19595	5/16" NC SERRATED FLANGE NUT PLTD
30	10-19598	7/16" NC NYLON LOCKNUT GR 2 PLTD
31	10-19600	5/8" NC NYLON LOCKNUT PLTD
32	10-19604	3/8" LOCK WASHER PLTD
33	10-19965	5/16" X 2-3/4" NC BOLT GR 2 PLTD
34	10-19966	5/8" FLAT WASHER PLTD
35	10-19975	3/8" X 1-1/4" NC BOLT GR 5 PLTD
36	10-19980	5/16" NC NYLON LOCKNUT PLTD
37	10-19991	5/8" X 2" NC BOLT GR 8 PLTD
38	10-20082	3/8" WING NUT PLTD
39	10-20399	3/16" X 5/8" GRIP ALUM RIVET
40	10-20638	60X11T 5/8 BORE IDLER SPROCKET
41	10-28485	7/16" SAE WASHER PLTD
42	10-29293	232-25367 SPLINED U-JOINT 14R
43	10-29526	#60 OFFSET LINK
44	10-29998	3/16" X 1-3/8" LINCHPIN
45	10-20754	#60 - 1R X 41P ROLLER CHAIN
46	10-20755	#60 - 1R X 69P ROLLER CHAIN
47	10-20598	MKX/X16 TRANSITION ASSEMBLY
48	10-20766	MKX160 TRANSITION ONLY
49	10-20599	MKX160 TRANSITION DOOR
50	10-20601	MKX160 TRANSITION INSPECTION DOOR
51	10-20695	MKX160 TRANSITION BELT

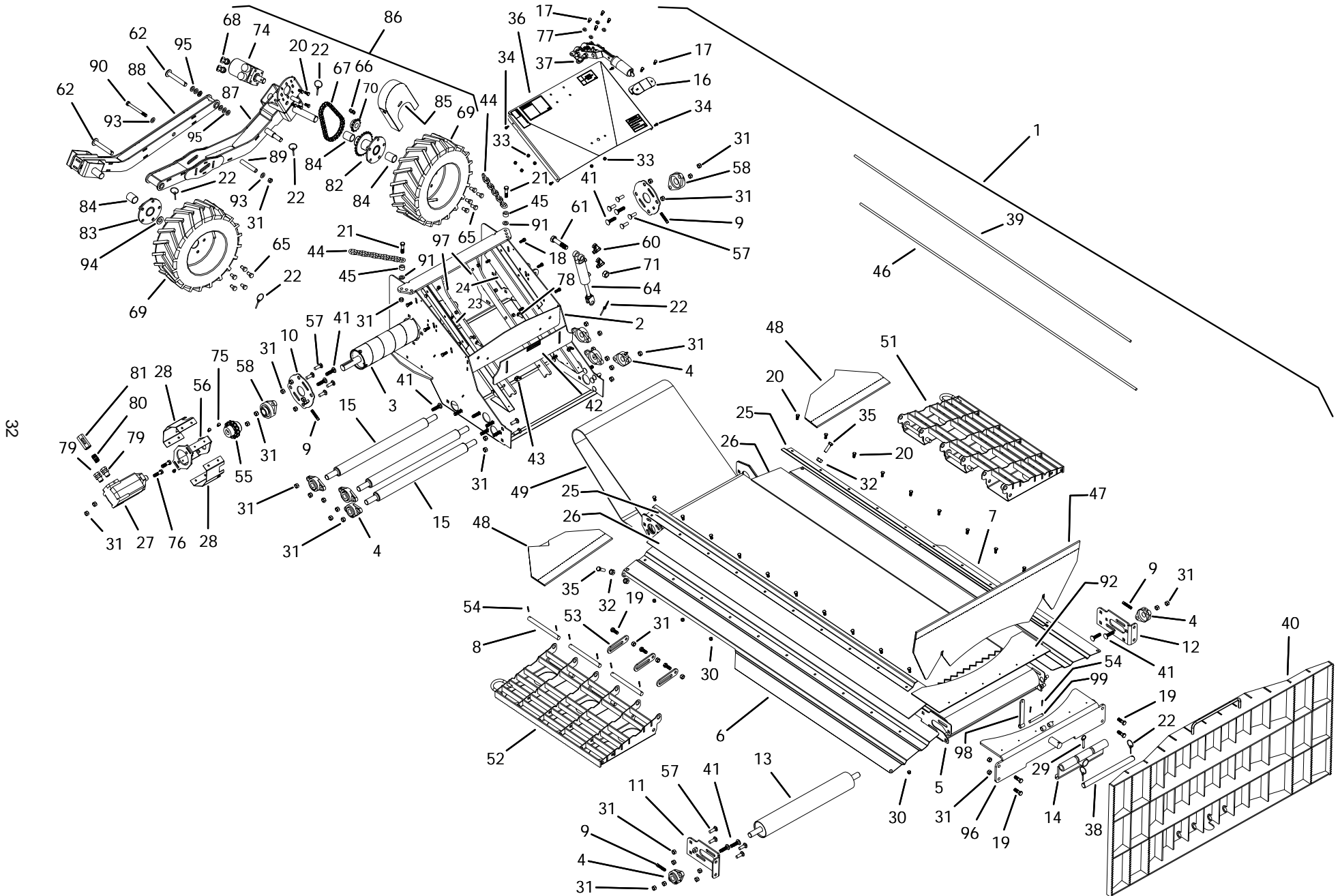
# HOPPER COMPONENTS



## HOPPER COMPONENTS

ITEM	PART NO.	DESCRIPTION
52	10-19590	5/8" X 1-1/2" NC BOLT GR 8 PLTD
53	10-20837	1-3/4" SAE FLAT WASHER, PLATED
54	10-20589	MKX160 TRANSITION BUSHING ASSY
55	10-20738	MKX160 TRANSITION FLIGHT
56	10-17522	410/350 X 4 PNEUMATIC WHEEL ASSM
57	10-20575	MKX160 LONG AXLE
58	10-17394	MK LP FIXED WHEEL AXLE
59	10-19463	210 HITCH PIN
60	10-20600	MKX16 TRANSITION BELT HINGE
61	10-18185	RIVET, 3/16" X 1/2" GRIP ASF\0621
62	10-19274	#14X5/8" SHEET METAL SCREW AB GR5 PLTD
63	10-21095	1-3/4" ID X 2-1/4" OD X 2" POROUS BRONZE BUSHING
64	10-17392	3/8" FLAT WASHER PLTD

# GULP2 HOPPER -16"



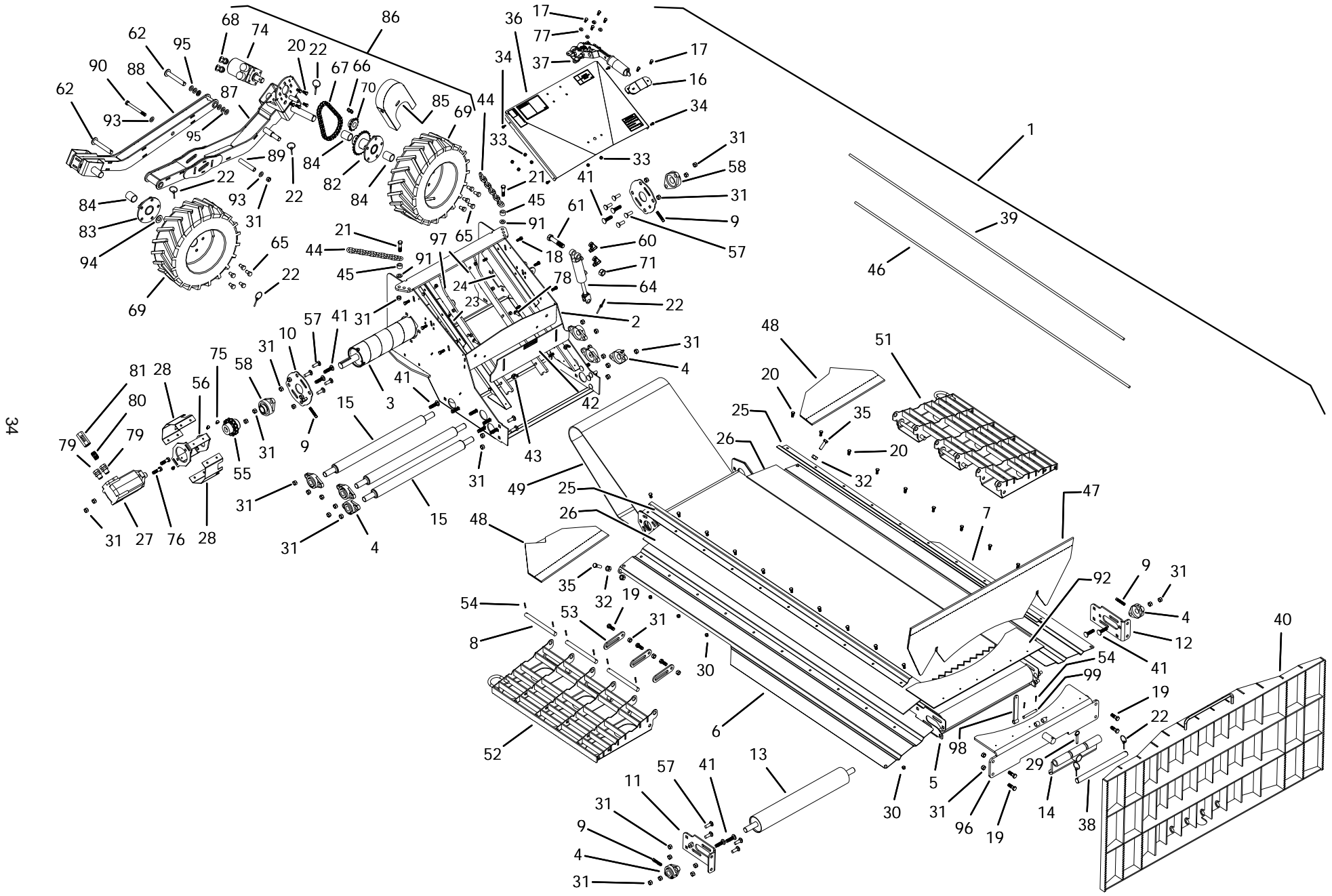
32



## GULP2 HOPPER - 16"

ITEM	PART NO.	DESCRIPTION
1	10-22420	MKX/X16 GULP HOPPER ASSEMBLY
2	10-22434	TRANSITION, 16" GULP
3	10-22419	DRIVE ROLLER ASSY 1-1/4", 16" GULP
4	0300013	BEARING ASSEMBLY
5	10-22408	DRIVEOVER ONLY, 16" GULP
6	10-21466	RIGHT FLAP, GULP
7	10-21465	LEFT FLAP, GULP
8	10-21486	GULP, FLAP PIVOT PIN
9	10-17819	7/16" X 2-1/2" SQ HEAD SET SCREW YZ
10	10-21967	DRIVE ROLLER MOUNT, GULP
11	10-22375	REAR ROLLER MOUNT, RH, GULP 2
12	10-22374	REAR ROLLER MOUNT, LH, GULP 2
13	10-22413	REAR ROLLER, 16" GULP
14	10-22514	RAMP PIVOT, 16" GULP
15	10-22411	ROLLER, IDLER/TRANS, 16" GULP
16	10-22253	FLAP LIFT DIVERTER ASSY, GULP
17	10-19538	5/16" X 3/4" NC BOLT GR 2 PLTD
18	10-18955	3/8" X 1" NC BOLT GR 5 PLTD
19	10-19588	1/2" X 1-1/4" NC BOLT GR 5 PLTD
20	10-19540	3/8" X 3/4" NC BOLT GR 5 PLTD
21	10-27816	1/2" X 2" NC BOLT GR 5 PLTD
22	10-29998	3/16" X 1-3/8" LINCHPIN
23	10-22377	SEAL ATTACH, RH, GULP 2
24	10-22378	SEAL ATTACH, LH, GULP 2
25	10-21464	RUBBER FLAP CLAMP, GULP
26	10-21404	8" X 74.75" X .178 BELT, GULP
27	10-18066	HYDRAULIC MOTOR
28	10-21456	HYDRALIC MOTOR GUARD, GULP
29	10-21485	5/16" X 1-1/2" LYNCH PIN
30	10-17402	3/8" NC NYLON LOCKNUT PLTD
31	10-19599	1/2" NC NYLON LOCKNUT GR 2 PLTD
32	10-19600	5/8" NC NYLON LOCKNUT PLTD
33	10-19980	5/16" NC NYLON LOCKNUT PLTD
34	10-19274	#14 X 5/8" SMS AB GR 5 PLTD
35	10-21534	GULP, CABLE RETAINER
36	10-22421	TRANS LID, 16" GULP
37	10-21476	OVERCENTER HANDLE, GULP
38	10-21517	REAR RAMP PIN, GULP
39	10-21470	FLAP LIFT CABLE, GULP
40	10-22414	REAR RAMP, 16" GULP
41	10-21525	1/2" X 2" CARRIAGE BOLT GR 5 PLTD
42	10-22536	16" GULP, FLOW ADJUST DOOR
43	10-20082	3/8" WING NUT PLTD
44	10-21488	CHAIN, 5/16" X 10 LINK, GULP
45	10-21529	GULP, DOM CHAIN SPACER
46	10-21835	GULP BUNGEE CORD
47	10-22418	16" GULP, REAR APRON
48	10-21468	GULP, FRONT APRON
49	10-22403	16" GULP, HOPPER BELT

# GULP2 HOPPER -16"

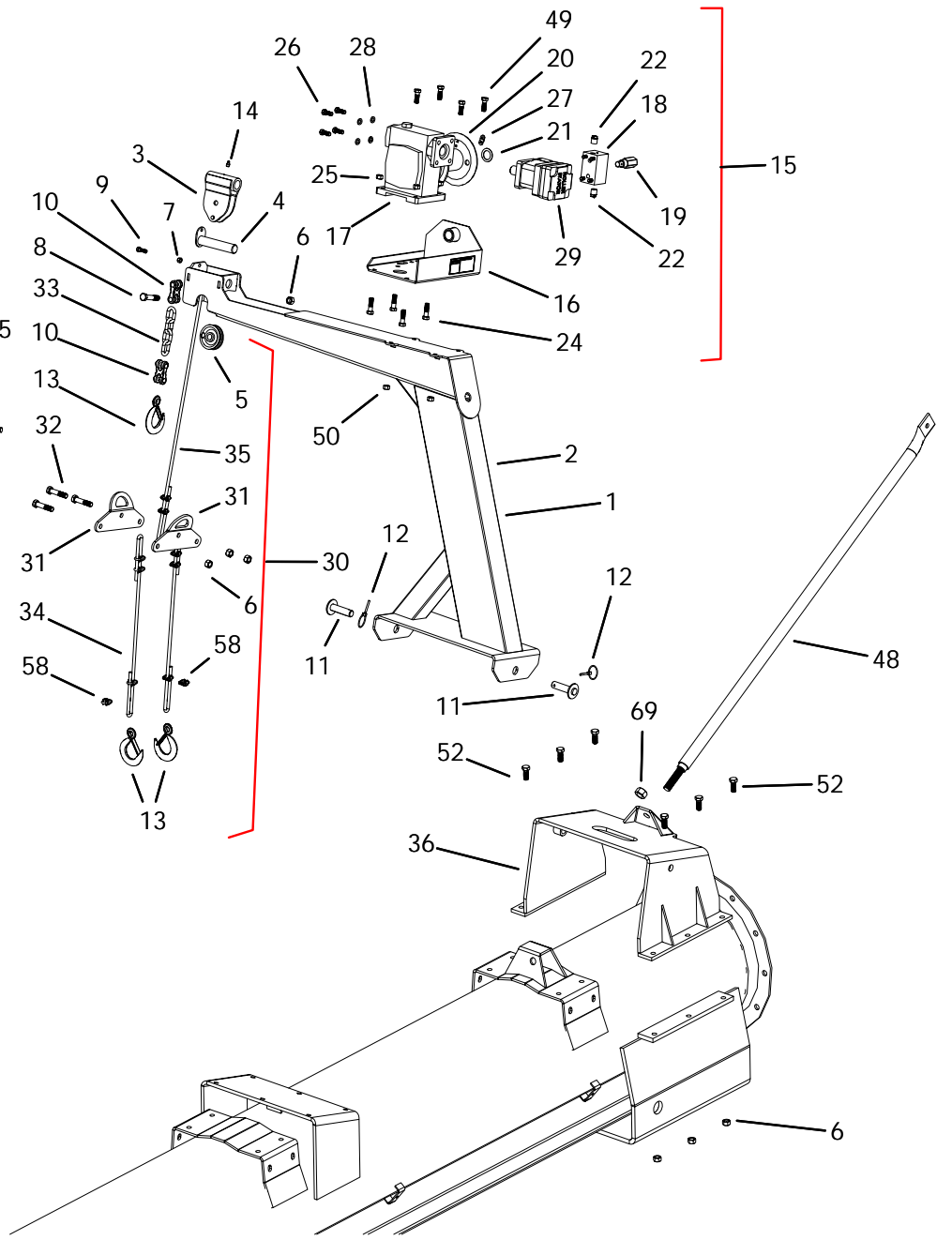
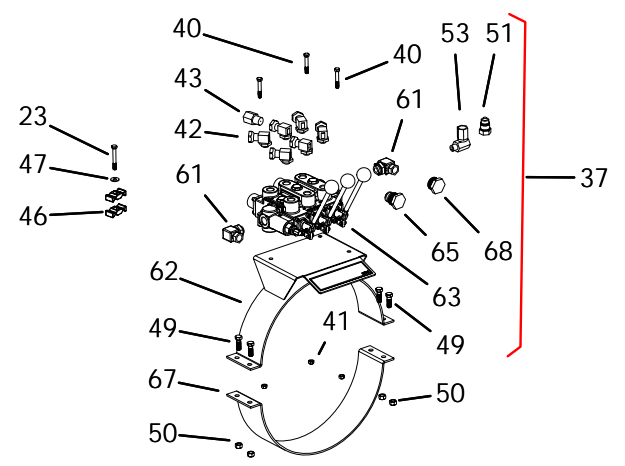
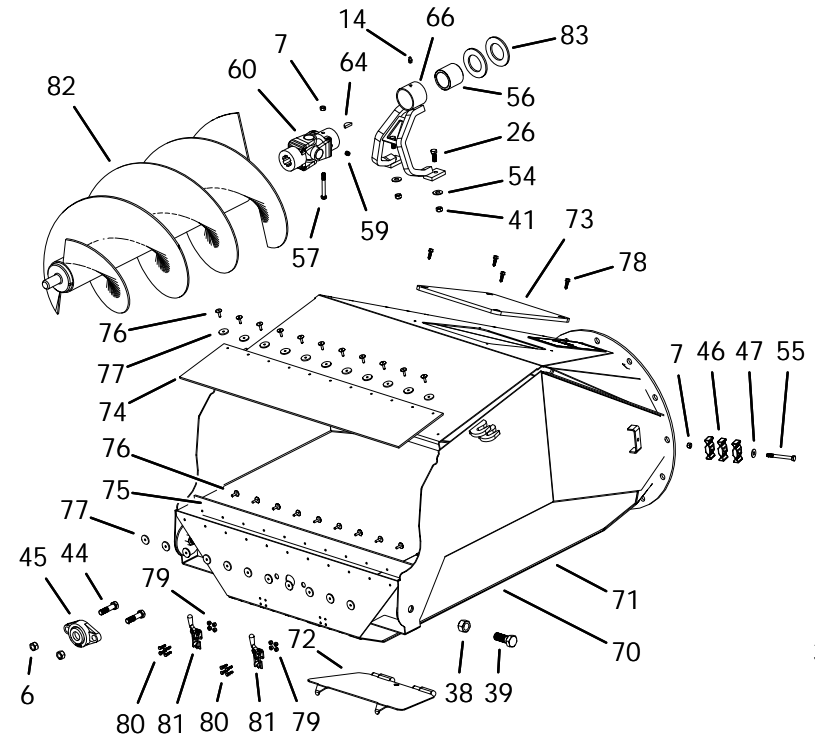


## GULP2 HOPPER - 16"

ITEM	PART NO.	DESCRIPTION
50	10-22524	16" GULP LACING KIT
51	10-21561	GULP, SIDE RAMP, LH
52	10-21562	GULP, SIDE RAMP, RH
53	10-21564	GULP, LOCK SLOT LINK
54	10-28726	3/16" X 1-1/2" ROLL PIN
55	10-19556	FLEX CPLR, 1.25KEY X 1" KEY
56	10-22158	S2000 MOTOR MOUNT, GULP
57	10-17807	1/2"X1-1/2"CARRIAGE BOLT GR 2 PLTD
58	10-27246	1-1/4" BEARING, 2-BOLT PILLOW
59	10-19147	1/4" CABLE CLAMP
60	10-22191	STEEL ELBOW 6MORB X 3/8 NSPM
61	10-20398	3/4" X 3-1/2" NC BOLT GR 5 PLTD
62	10-22168	PIN, LANDING GEAR
64	10-22161	1-1/2 X 8 HYDRAULIC CYLINDER
65	10-20565	1/2" X 1-1/8" NF #5 WHEEL BOLT
66	10-19134	#50 CONNECTOR LINK
67	10-19133	#50-1R X 37P ROLLER CHAIN
68	10-20256	#8 FNPTS X #10 MORB, 45 DEG FITTING
69	10-21535	PS 5 BOLT WHEEL ASSM W/ TUBE
70	10-20211	50B12 X 1 SPROCKET
71	10-19601	3/4" NC NYLON LOCKNUT PLTD
74	10-20246	PS HYD MOTOR, 17.9 CU IN
75	10-21421	5/16" X 1/2" NC BOLT GR 2 PLTD
76	10-19974	1/2" X 1-3/4" NC BOLT GR 8 PLTD
77	9900683	1/4" FLAT WASHER PLT
78	10-27986	3/8" X 1" NC CARRIAGE BOLT GR 5 PLT
79	9900204	FTG,STL,10MORB X 1/2NSPM
80	10-28479	STEEL NIPPLE 1/2NPT
81	10-22147	1/2" FNPT X 1/2" FNPT CHECK VALVE
82	10-20166	ASSY HUB, W/ BUSHING
83	10-22165	IDLER WHEEL HUB, LANDING GEAR
84	10-19776	BUSHING, 1-1/4"
85	10-22164	CHAIN GUARD, LANDING GEAR
86	10-22428	16" GULP LANDING GEAR ASSEMBLY
87	10-22405	LEFT HAND X-ARM, 16" GULP LG
88	10-22404	RIGHT HAND X-ARM, 16" GULP LG
89	10-22187	SLIDER BUSHING, LANDING GEAR
90	9900564	1/2" X 5" UNC BOLT GR5 PLTD
91	10-22137	1-1/16 X 17/32 X 3/32 WASHER PLATED
92	10-22535	16" GULP, REAR PLATE RUBBER SPACER
93	10-17401	1/2" FLAT WASHER PLTD
94	10-17651	1-1/4" RIM WASHER PLTD
95	10-19979	3/4" FLAT WASHER PLTD
96	10-22415	END PLATE, 16" GULP
97	10-22376	GULP 2 TRANS. SEAL PLATE
98	10-22432	REAR APRON HINGE PIVOT, GULP 2
99	10-22433	REAR APRON HINGE PIN, GULP 2

# GULP2 PARTS - 16"

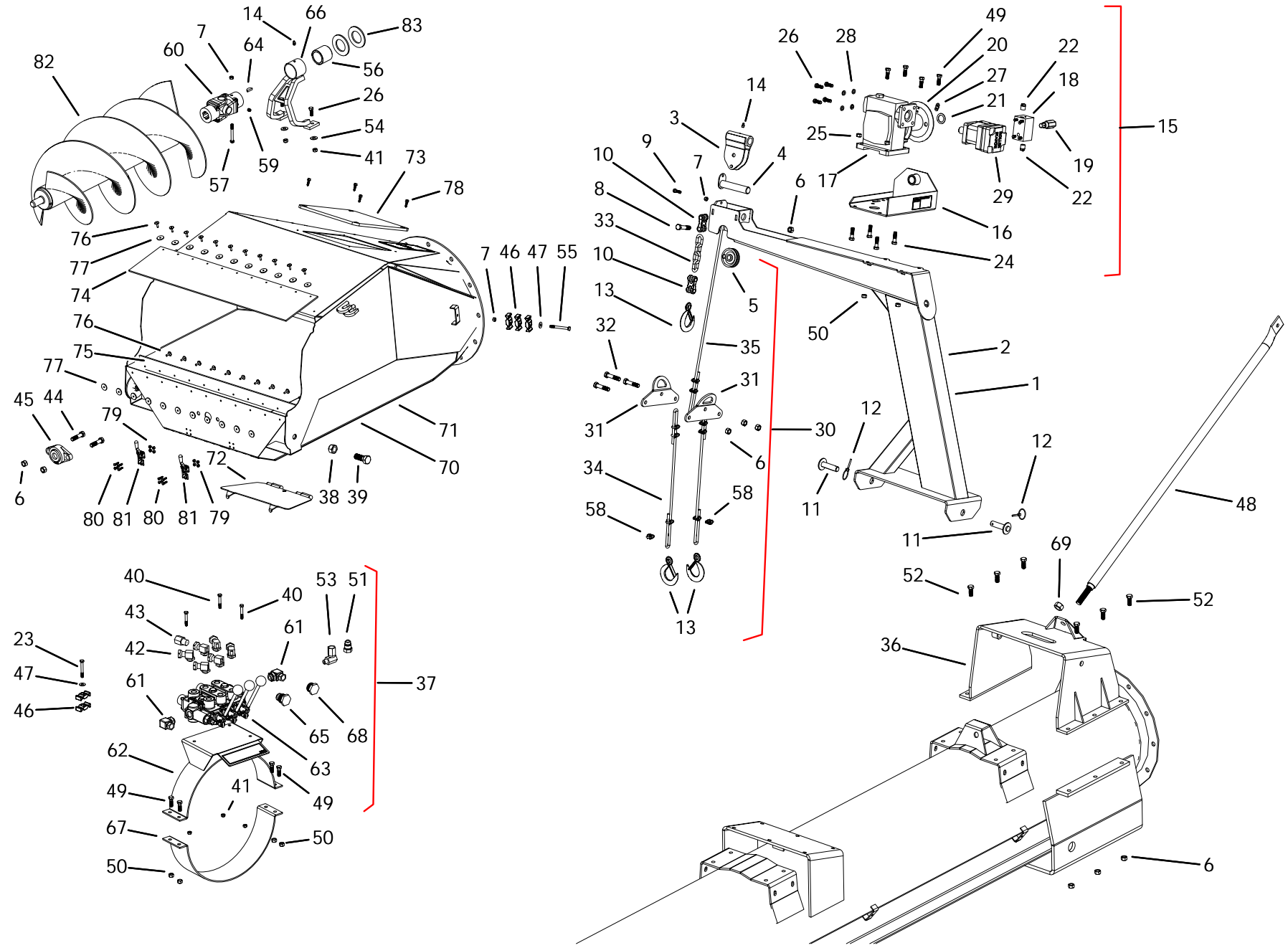
36



## GULP2 PARTS - 16"

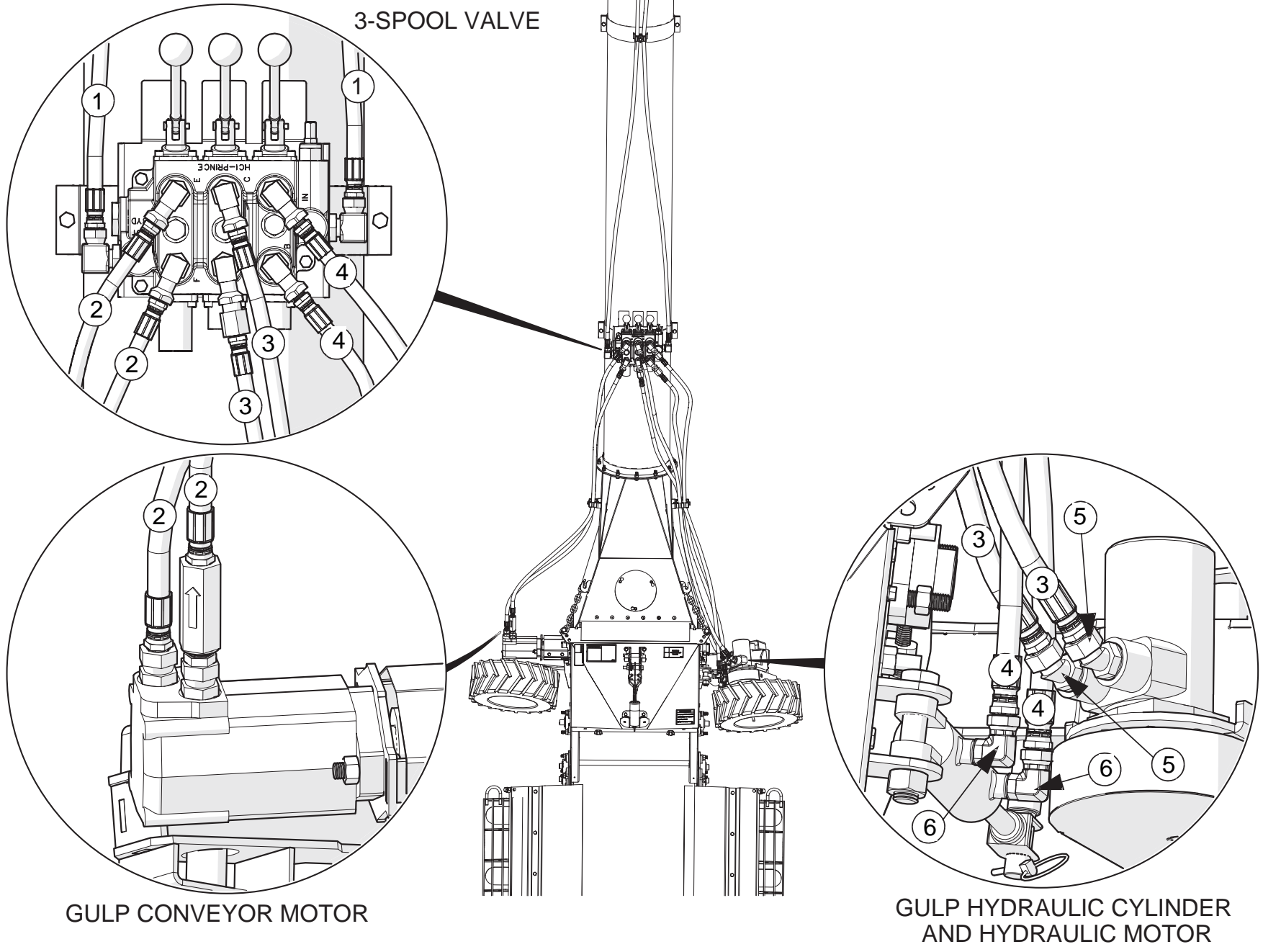
ITEM	PART NO.	DESCRIPTION
1	10-21538	GULP LIFT ARM ASSEMBLY
2	10-21574	GULP, LIFT ARM ONLY
3	10-21577	GULP, PIN SLEEVE
4	10-21576	GULP, LIFT ARM PULLEY PIN
5	10-21494	MKX160 LIFT ARM PULLEY ASSEMBLY
6	10-19599	1/2" NC NYLON LOCKNUT GR 2 PLTD
7	10-19980	5/16" NC NYLON LOCKNUT PLTD
8	10-20772	BOLT, 1/2" X 2-1/2" GR 8
9	10-18091	5/16" X 1" NC BOLT GR 2 PLTD
10	10-20083	5/16" MID LINK
11	10-21575	GULP, LIFT ARM ATTACH PIN
12	10-29998	3/16" X 1-3/8" LINCHPIN
13	10-28997	1/2T EYE HOIST HOOK PAINTED W/ LATCH
14	10-19222	1/4" #28 GREASE ZERK
15	10-17634WH	HYDRAULIC WINCH ASSEMBLY, BLACK
16	10-17628WH	HYD WINCH FRAME ASSEMBLY, BLACK
17	10-17625	60 WPUDS 20:1
18	0700023	MANIFOLD WINCH RELIEF BLOCK
19	0700024	VALVE WINCH NON-ADJ REFLIEF MANIFOLD
20	10-17629WH	HYDRAULIC WINCH DRUM, BLACK
21	10-18097	1" RIM WASHER PLTD
22	0308013	3/8" NPT PLASTIC PLUG
23	10-17631	5/16" X 2-1/2" NC BOLT GR 2 PLTD
24	10-28744	7/16" X 1-1/2" NC BOLT GR 5 PLTD
25	10-19598	7/16" NC NYLON LOCKNUT GR 2 PLTD
26	10-18955	3/8" X 1" NC BOLT GR 5 PLTD
27	10-18496	ROPE KEEPER KIT
28	10-19604	3/8" LOCK WASHER PLTD
29	10-17626	MOTOR, HYD, 3.2, MANIFOLD KEYED
30	10-21533	GULP HOPPER LIFT CABLE
31	10-21580	GULP, LIFT DIVERTER PLATE
32	9900560	1/2" X 2-1/4" NC BOLT GR 5 PLTD
33	10-21432	5/16" CHAIN (4 LINKS)
34	10-21589	SIDE CABLE ASSEMBLY, GULP
35	10-21590	TOP CABLE ASSEMBLY, GULP
36	10-22407	16" BOLT ON LIFT ARM MOUNT, GULP
37	10-22431	16" VALVE ASSY, GULP
38	10-19601	3/4" NC NYLON LOCKNUT PLTD
39	10-19592	3/4" X 2" NC BOLT GR 8 PLTD
40	10-27979	3/8" X 2" NC BOLT GR 5
41	10-17402	3/8" NC NYLON LOCKNUT PLTD
42	10-20104	STEEL ELBOW 10MORB X 1/2 NPSM
43	10-28315	LINE THROTTLE FITTING
44	10-27816	1/2" X 2" NC BOLT GR 5 PLTD
45	0300013	BEARING ASSEMBLY
46	10-28732	EMP-LB004 LINE BLOCK
47	10-27336	5/16" FLAT WASHER PLTD
48	10-22417WH	TRUSS X-BRACE, BLACK, 16" GULP
49	10-18698	7/16" X 1-1/4" NC BOLT GR 8 PLTD

GULP2 PARTS - 16"



## GULP2 PARTS - 16"

ITEM	PART NO.	DESCRIPTION
50	10-17593	7/16" NC NYLON LOCKNUT GR 5 YLW PLTD
51	9900047	PIONEER COUPLER
52	10-19589	1/2" X 1-1/2" NC BOLT GR 8 PLTD
53	1100625	STEEL ELBOW 90.1/2FNPSMX3/8MNPT
54	10-17392	3/8" FLAT WASHER PLTD
55	2300022	5/16" X 3" UNC BOLT GR5 PLTD
56	10-21095	POROUS BRONZE BUSHING
57	10-19965	5/16" X 2-3/4" NC BOLT GR 2 PLTD
58	10-19333	5/16" CABLE CLAMP
59	10-19225	3/8" X 3/8" SET SCREW
60	10-29293	SPLINED U-JOINT 14R
61	10-21569	ADAPTER, #8FPT 90 DEGREE #12 MORB
62	10-22430	VALVE MOUNT, 16" GULP
63	10-22170	3-SPOOL VALVE, ONLY
64	10-19224	1/4" X 1" WOODRUFF KEY
65	10-21638	CLOSED CENTER PLUG ASSM
66	10-20589	MKX160 TRANSITION BUSHING ASSY
67	10-22429	16" HALF BAND
68	10-22156	CONVERSION PLUG, OPEN CENTER
69	10-19601	3/4" NC NYLON LOCKNUT PLTD
70	10-22436	AUGER TRANS ASSEMBLY, 16 GULP
71	10-22435	AUGER TRANSITION, 16" GULP
72	10-21447	AUGER TRANS ACCESS LID, GULP
73	10-20644	MKX160 PLEXIGLASS SIDE PLATE 3/8"
74	10-22488	AUGER TRANS RUBBER SEAL, 16" GULP
75	10-22489	AUGER TRANS SQUEEGEE, 16" GULP
76	10-18185	ASF0621 RIVET (LARGE FLANGE)
77	10-18186	1" X 13/64" X 18 GA WASHER PLTD
78	10-20595	#14 X 1" TEK SCREW
79	10-20336	#8 LOCKNUT PLTD
80	10-20335	#8 X 3/4" BOLT PLTD
81	10-20052	MA6512230 LATCH & CATCH
82	10-22409	TRANSITION FLIGHT, 16" GULP
83	10-20837	1-3/4" SAE FLAT WASHER PLTD

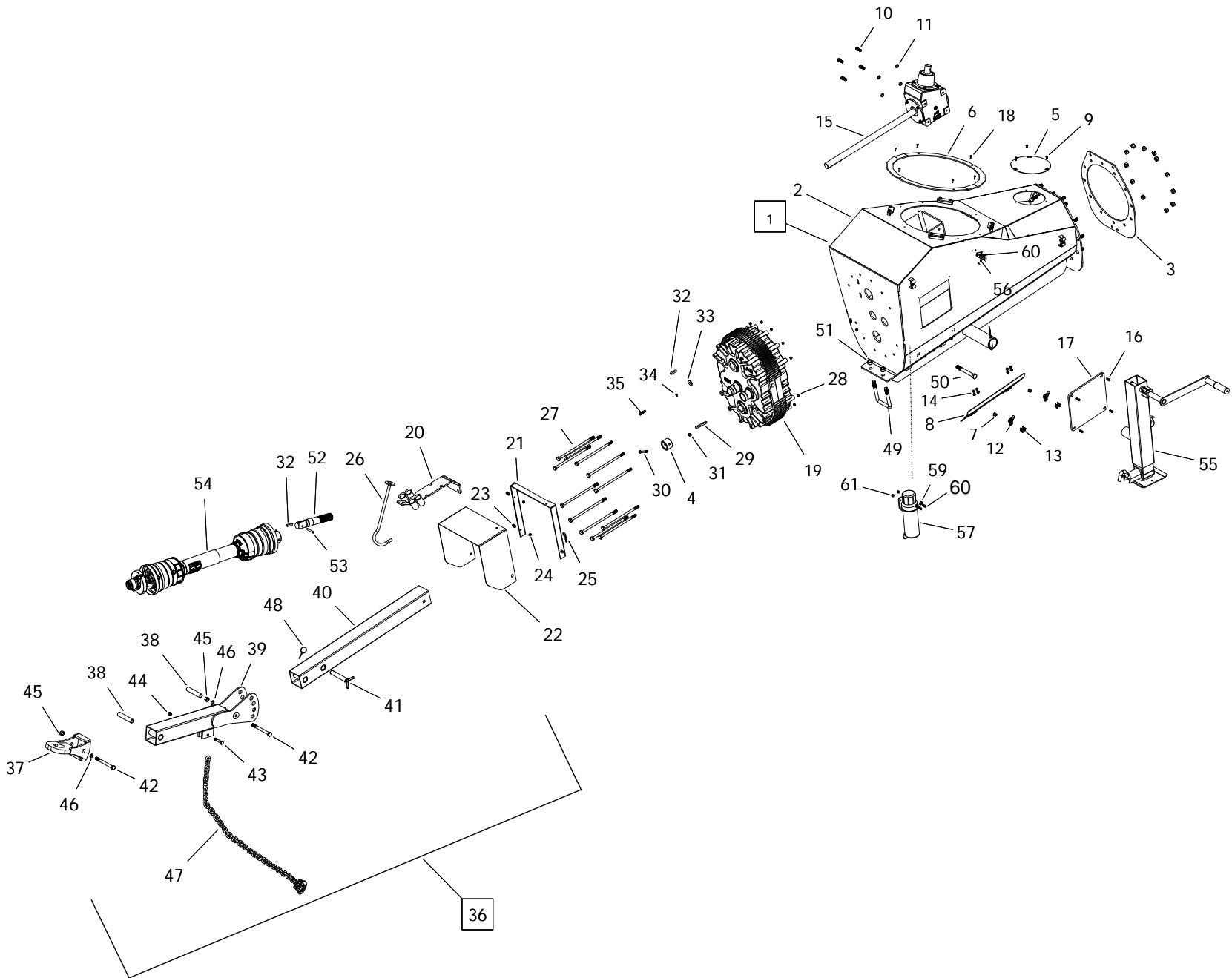




## GULP2 HYDRAULIC LINES - 16"

ITEM	PART NO.	DESCRIPTION
1	10-22454	3/4" X 360" HYDRAULIC HOSE
2	10-29394	1/2" X 72" hydraulic hose
3	10-28835	3/8" x 78" hydraulic hose
4	10-22188	3/8" x 72" hydraulic hose
5	10-20256	#8 FNPTS x #10 MORB, 45 DEG FITTING
6	10-22191	STEEL ELBOW 6 MORB X 3/8 NSPM

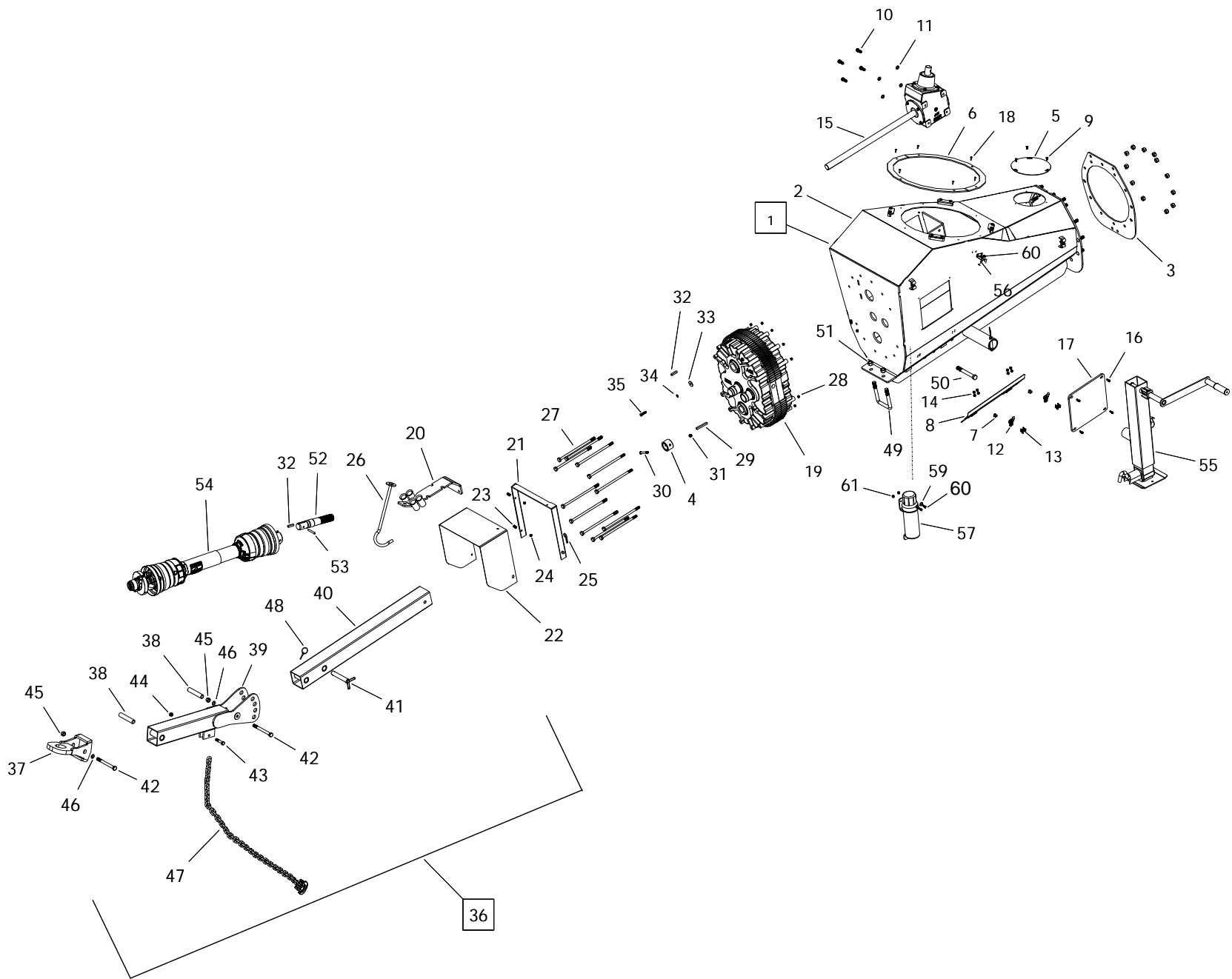
# BOOT COMPONENTS



## BOOT COMPONENTS

ITEM	PART NO.	DESCRIPTION
1	10-20604	MKX/X16 BOOT ASSY
2	10-20603	MKX160 BOOT ONLY
3	10-20679	MKX160 BOOT TUBE ATTACH PLATE
4	10-20680	MKX160 LOWER STOP FLIGHT
5	10-20601	MKX160 TRANSITION INSPECTION DOOR
6	10-20800	MKX160 WEAR PLATE, BOOT
7	10-20053	CATCH
8	10-29982	X13 BOOT CLEANOUT DOOR
9	10-19537	1/4" X 1/2" HEX WSHR HEAD GR 5 PLTD
10	10-19588	1/2" X 1-1/4" NC BOLT GR 5 PLTD
11	10-19605	1/2" LOCK WASHER PLTD
12	10-20052	MA6512230 LATCH AND CATCH
13	10-20335	#8 X 3/4" BOLT PLTD
14	10-20336	#8 LOCKNUT PLTD
15	10-20557	GEARBOX
16	10-20595	#14 X 1" TEK SCREW
17	10-20644	MKX160 PLEXIGLASS SIDE PLATE 3/8"
18	10-20765	3/16"X1/2" BLIND RIVET (SMALL HEAD)
19	10-20558	M2500 SPEED REDUCER
20	10-20705	MKX160 VALVE BRACKET
21	10-20746	MKX160 PTO SHIELD REAR
22	10-20745	MKX160 PTO SHIELD FRONT
23	10-19538	5/16" X 3/4" NC BOLT GR 2 PLTD
24	10-19595	5/16" NC SERRATED FLANGE NUT PLTD
25	10-19463	HAIR PIN
26	10-18537	MK130 TRANSPORT SADDLE
27	10-20777	1/2" X 11-1/2" GR8 PLTD
28	10-19599	1/2" NC NYLON LOCKNUT GR 2 PLTD
29	10-18541	3/8" X 3-3/8" SQUARE KEY
30	10-19547	7/16" X 3-1/2" NC BOLT GR 5 PLTD
31	10-19598	7/16" NC NYLON LOCKNUT GR 2 PLTD
32	10-17066	KEY, 1-3/4" X 3/8" SQ.
33	10-20764	MKX160 KEYWAY LOCKWASHER
34	10-19604	3/8" LOCK WASHER PLTD
35	10-28256	3/8" X 1-1/2" NC TAP BOLT GR5 PLTD
36	10-20694	TOW BAR ASSEMBLY
37	10-20610	MKX160 HITCH
38	10-20611	MKX160 TOW BAR BUSHING
39	10-20612	MKX160 SHORT TOW BAR
40	10-20613	MKX160 LONG TOW BAR
41	10-20768	MKX160 TOW BAR PIN
42	10-19591	5/8" X 6-1/2" NC BOLT GR 8 PLTD
43	9900560	1/2" X 2-1/4" NC BOLT GR 5 PLTD
44	10-19599	1/2" NC NYLON LOCKNUT GR 2 PLTD
45	10-19600	5/8" NC NYLON LOCKNUT PLTD
46	10-19966	5/8" FLAT WASHER PLTD
47	10-20836	MK160 SAFETY CHAIN (52" LONG)
48	10-29998	3/16" X 1-3/8" LINCHPIN
49	10-20684	UBOLT SQ 3/4NCX4-1/16X5-3/4 PLT

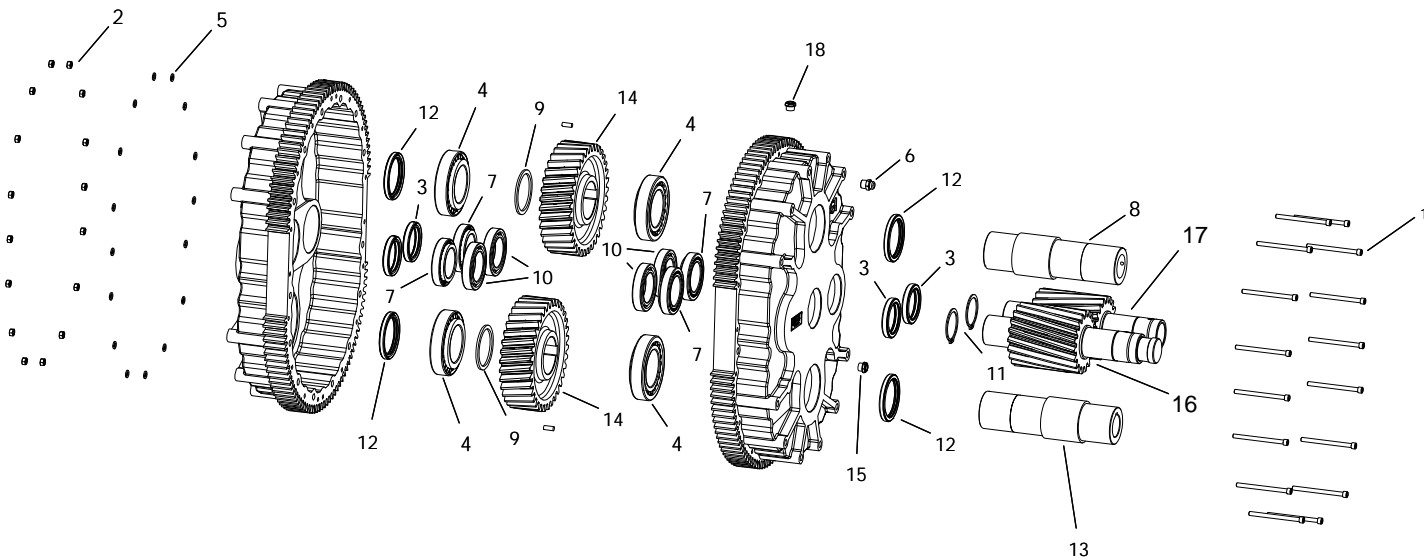
# BOOT COMPONENTS



## BOOT COMPONENTS

ITEM	PART NO.	DESCRIPTION
50	10-19593	3/4" X 6-1/2" NC BOLT GR 8 PLTD
51	10-19601	3/4" NC NYLON LOCKNUT PLTD
52	10-20605	MKX/X16 REPLACEMENT SPLINED SHAFT
53	10-18546	3/8" X 2-1/2" COILED ROLL PIN
54	10-20560	260-26267E CV-DRIVELINE (BLACK)
55	10-20643	MKX160 JACK
56	10-29994	X16 SHUT OFF VALVE HOLER
57	10-29755	WATERPROOF PLASTIC MANUAL HOLDER
58	10-19988	1/4" X 1" NC BOLT
59	9900683	1/4" FLAT WASHER PLTD
60	9900800	1/4" X 3/4" NC BOLT GR 5 PLTD
61	10-28449	1/4" NC NYLON LOCKNUT PLTD

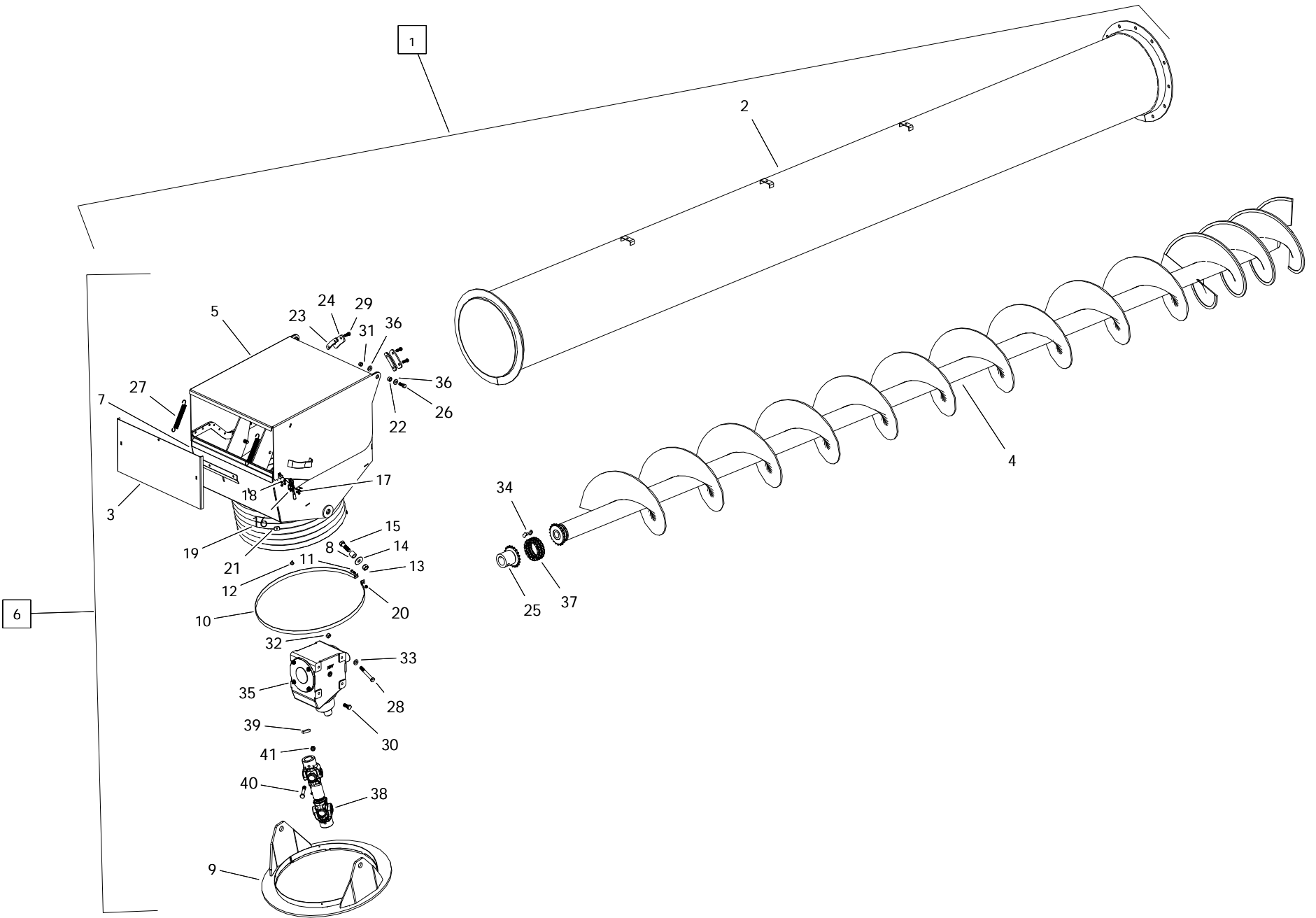
# SPEED REDUCER COMPONENTS



ITEM	PART NO.	DESCRIPTION
1	10-21410	SOCKET HEAD CAP SCREW, 5/16" X 4-1/4"
2	10-19595	HEX NUT, 5/16"
3	10-28526	OIL SEAL, 60X80X12
4	10-21274	ROLLER BEARINGS 32215 (LARGE)
5	10-19603	LOCK WASHER, 5/16"
6	10-21417	INTERNAL HEX PLUG/STEEL PLUG
7	10-21275	ROLLER BEARINGS 32012 (SMALL)
8	10-21277	OUTPUT SHAFT
9	10-21413	SHIM, Ø75.5X90X4
10	10-21276	BALL BEARING 6012
11	10-21414	SNAP RING, Ø60X2
12	10-28527	OIL SEAL, 75X95X10
13	10-21406	OUTPUT SHAFT
14	10-21407	OUTPUT GEAR 35T
15	10-21419	EXTERNAL HEX OIL LEVER PLUG, ZG3/8"-18
16	10-21408	MIDDLE GEAR SHAFT RIGHT HAND
17	10-21409	INPUT GEAR SHAFT 20T
18	10-21420	VENT PLUG
19	10-29272	LOCKING SYSTEM KIT

**(This page intentionally left blank.)**

# SWING TUBE COMPONENTS

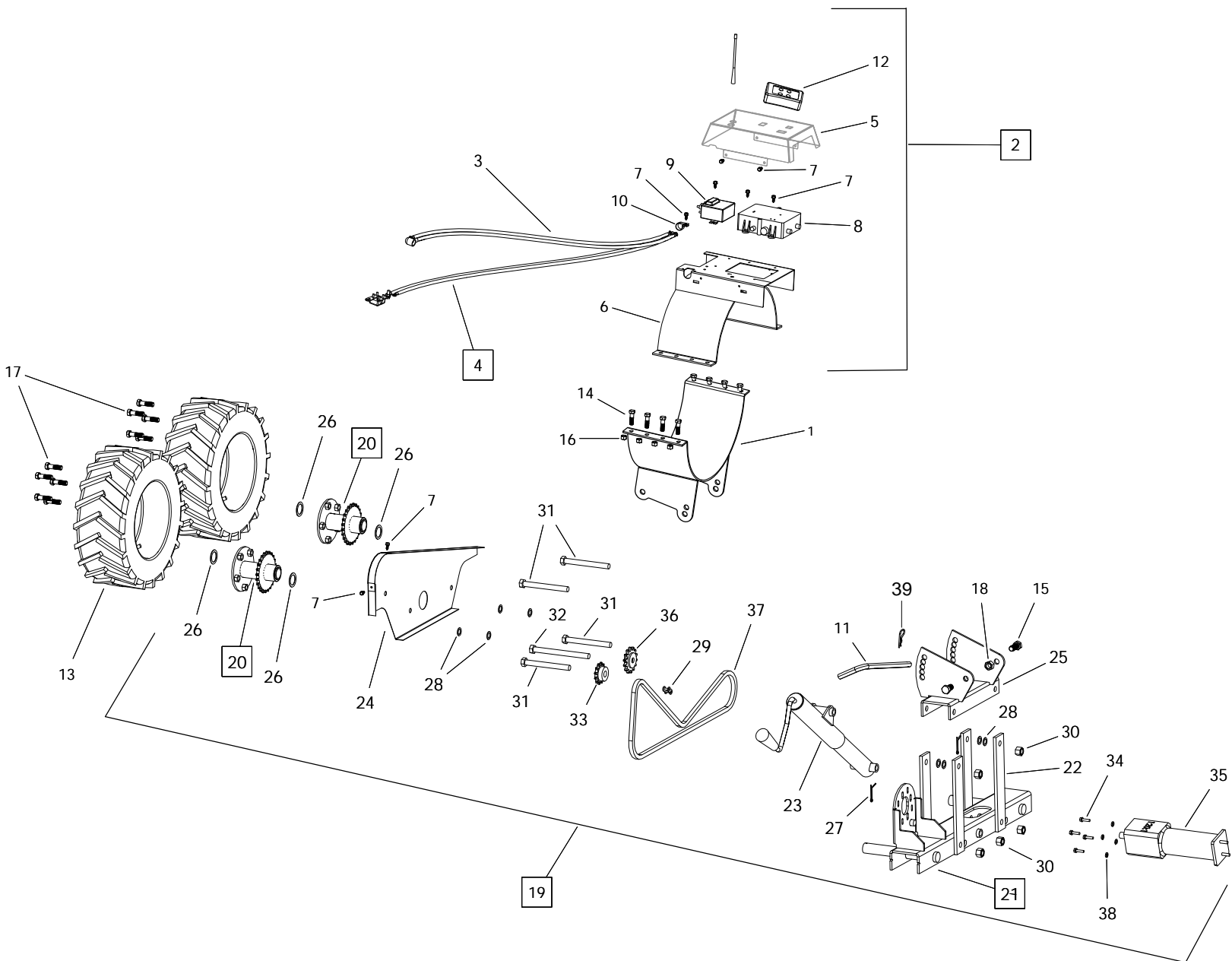




# SWING TUBE COMPONENTS

ITEM	PART NO.	DESCRIPTION
1	10-20713	MKX/X160 SWING TUBE BUNDLE
2	10-20587	MKX160 SWING TUBE ONLY
3	10-20591	MKX160 SPOUT HEAD DOOR
4	10-20592	MKX160 SWING FLIGHT
5	10-20593	MKX160 SPOUT HEAD COVER
6	10-20597	MKX/X16 SPOUT HEAD ASSY
7	10-20590	MKX160 SPOUT HEAD ONLY
8	10-20596	MKX160 SPOUTHEAD BUSHING
9	10-20671	MKX160 SPOUT HEAD BASE
10	10-20756	MKX160 SPOUT HEAD STRAP
11	10-19988	1/4" X 1" NC BOLT GR 2 PLTD
12	10-18185	ASF0621 RIVET (LARGE FLANGE)
13	10-19600	5/8" NC NYLON LOCKNUT PLTD
14	10-19966	5/8" FLAT WASHER PLTD
15	10-19991	5/8" X 2" NC BOLT GR 8 PLTD
16	10-20052	MA6512230 LATCH AND CATCH
17	10-20335	#8 X 3/4" BOLT PLTD
18	10-20336	#8 LOCKNUT PLTD
19	10-20559	20" X 16" LONG FLEX HOSE
20	10-28449	1/4" NC NYLON LOCKNUT PLTD
21	10-29252	DUCTING SECURE TAB, FLEX
22	10-27889	LEVELLER BUSHING TF
23	10-29152	LRG BOOT RETAINER SPACER FLEX
24	10-29166	SPOUT HEAD RETAINER, MK FLEX
25	10-29992	MKX/X13 & MKX16 GEARBOX CONNECTOR
26	10-18698	7/16" X 1-1/4" NC BOLT GR 8 PLTD
27	10-18728	EXTENSION SPRING
28	10-18947	1/2" X 4" NC BOLT GR 8 PLTD
29	10-18955	3/8" X 1" NC BOLT GR 5 PLTD
30	10-19588	1/2" X 1-1/4" NC BOLT GR 5 PLTD
31	10-19598	7/16" NC NYLON LOCKNUT GR 2 PLTD
32	10-19599	1/2" NC NYLON LOCKNUT GR 2 PLTD
33	10-19605	1/2" LOCK WASHER PLTD
34	10-20048	#50 DOUBLE CONNECTOR LINK
35	10-20556	GEARBOX
36	10-28485	7/16" SAE WASHER PLTD
37	10-29895	#50-19P DOUBLE ROLLER CHAIN
38	10-20561	242-26278E COUPLER SHAFT (BLACK)
39	10-17066	KEY, 1-3/4" X 3/8" SQ.
40	10-28746	3/8" X 3-1/4" NC BOLT GR 5 PLTD
41	10-17402	3/8" LOCKNUT PLTD

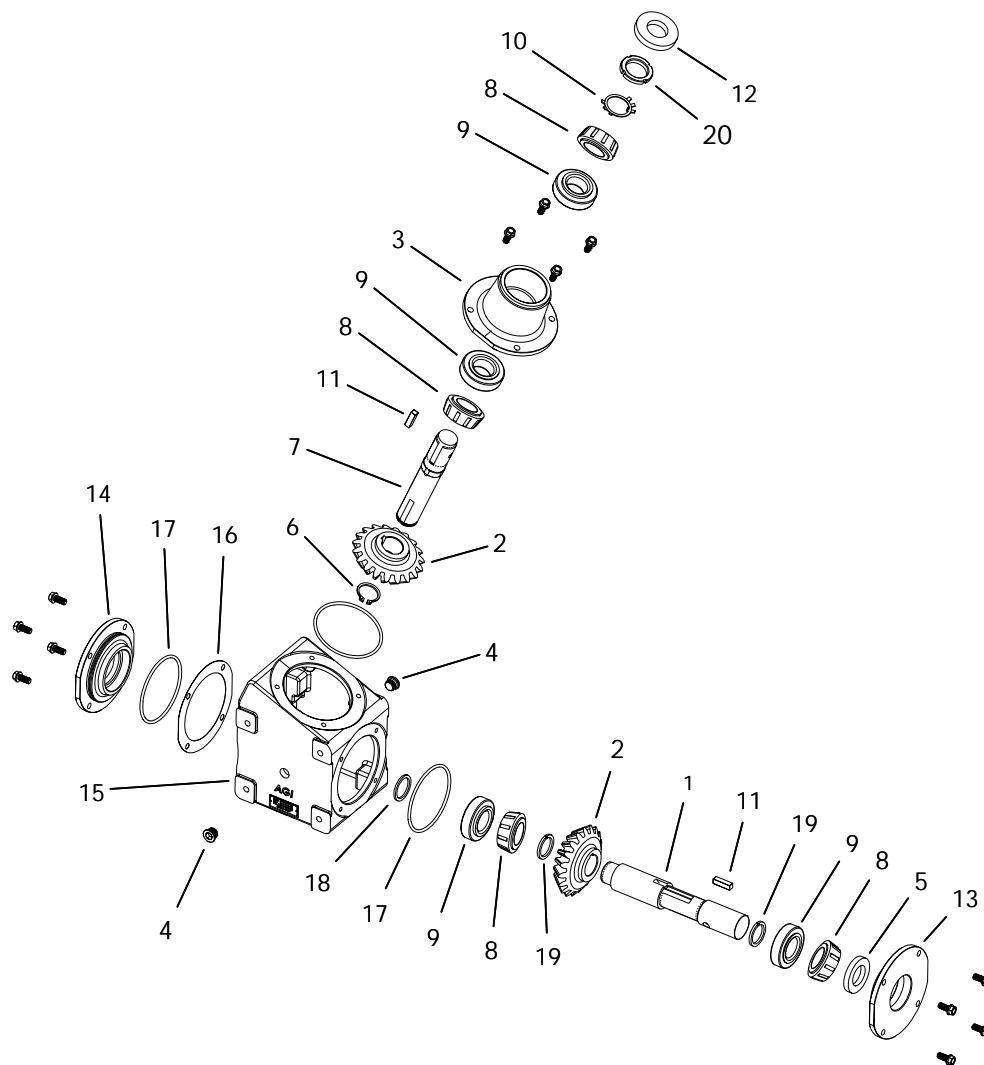
# ELECTRIC POWER SWING COMPONENTS



## ELECTRIC POWER SWING COMPONENTS

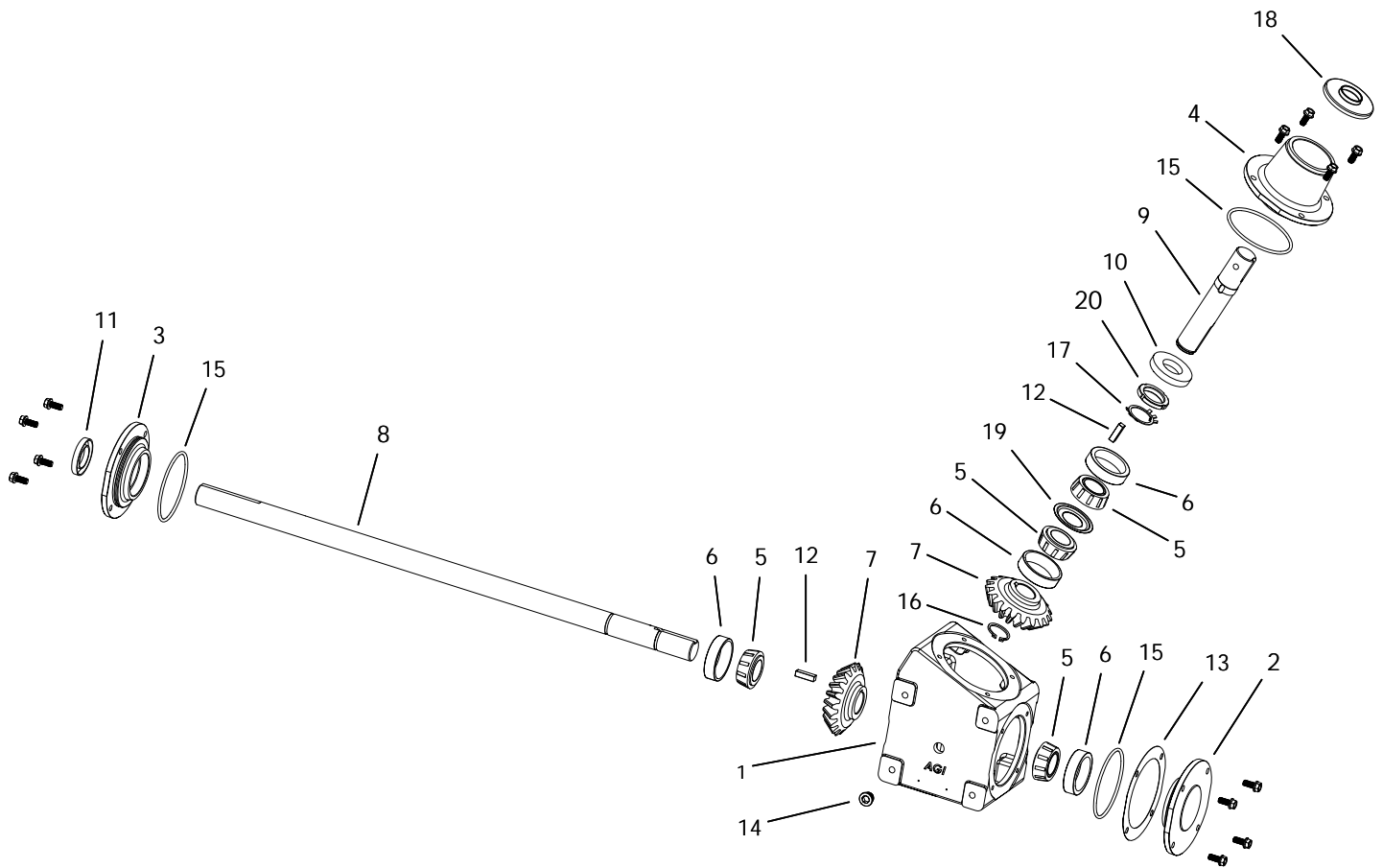
ITEM	PART NO.	DESCRIPTION
1	10-20889	16" BOTTOM CLAMP - POWERSWING
2	10-20893	ASSY, 16" P/S TOP CLAMP RECIEVER
3	10-20168	WIRE HARNESS - CONTACTOR TO MOTOR
4	10-20169	WIRE HARNESS - CONTACTOR TO BATTERY
5	10-20178	COVER, PS RECEIVER ARMOR - POWERSWING
6	10-20888	16" TOP CLAMP W.A. RC - POWERSWING
7	10-19274	#14 X 5/8" SMS AB GR 5 PLTD
8	10-20135	9200RX RECIEVER
9	10-20136	9824 CONTACTOR
10	10-20268	5/8 X 1/2 INSULATED CLAMP
11	10-20895	POWERSWING ADJUST PIN, PLATED
12	10-20134	92102TX TRANSMITTER
13	10-20137	16 X 6.5 5 BOLT WHEEL ASSM
14	10-18698	7/16" X 1-1/4" NC BOLT GR 8 PLTD
15	10-19590	5/8" X 1-1/2" NC BOLT GR 8 PLTD
16	10-19598	7/16" NC NYLON LOCKNUT GR 2 PLTD
17	10-20565	1/2" X 1" NF #5 WHEEL BOLT
18	10-27588	5/8" NC SERRATED FLANGE NUT PLTD
19	10-20890	16" ELECTRIC PS AXLE, AS SHIPPED
20	10-20166	ASSY HUB, W/BUSHING
21	10-20173	AXLE ASSY, POWER SWING
22	10-20174	PLATE, PARALLEL BAR - POWERSWING
23	10-20179	JACK, POWERSWING
24	10-20180	GUARD, POWERSWING
25	10-20892	PIVOT - POWERSWING, HOLES
26	10-17651	1-1/4" RIM WASHER PLTD
27	10-17757	3/16" X 1-3/4" COTTER PIN PLTD
28	10-18096	5/8" RIM WASHER PLTD
29	10-19134	#50 CONNECTOR LINK
30	10-19600	5/8" NC NYLON LOCKNUT PLTD
31	10-20163	5/8" X 6" NC BOLT GR 5 PLTD
32	10-20164	5/8" X 7-1/2" NC BOLT GR 8 PLTD
33	10-20210	50B12 X 3/4 SPROCKET
34	10-20445	1/4" X 1" NC BOLT GR 8 PLTD
35	10-20753	MOTOR, 12V DC 120:1 RATIO
36	10-29894	50C15 X 5/8 IDLER SPROCKET
37	10-20515	#50 - 1R X 109P ROLLER CHAIN (W/ CONNECTOR LINK)
38	9900783	1/4" LOCKWASHER PLTD
39	10-19463	HAIR PIN

# UPPER GEARBOX (20556) COMPONENTS



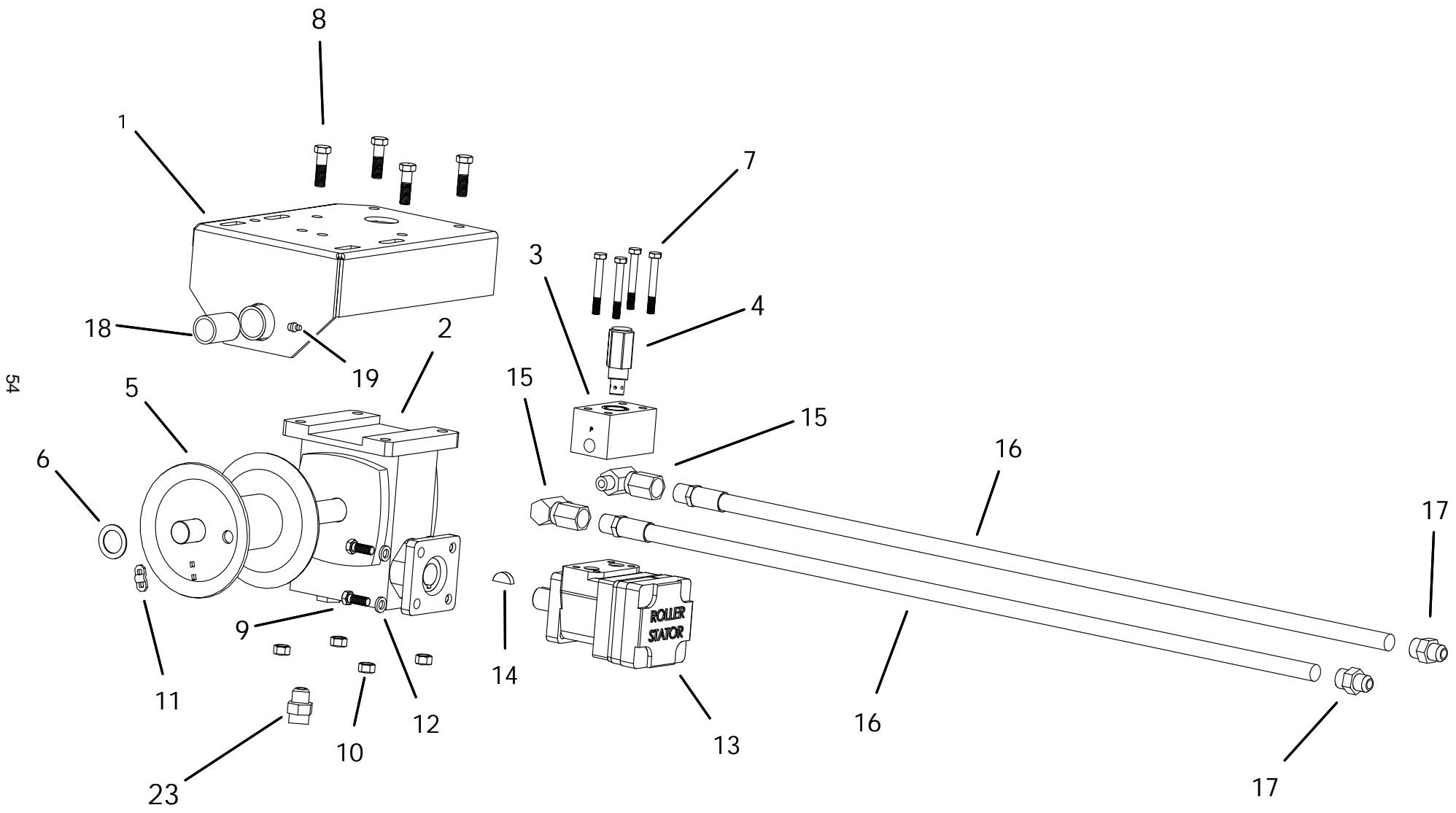
ITEM	PART NO.	DESCRIPTION
1	10-20588	SHAFT, CROSS
2	10-21382	GEAR, DP 4 TEETH 19
3	10-21379	QUILL
4	10-21388	PIPE PLUG, 3/4" UNF
5	10-21386	SEAL (1.50 X 2.56 X 0.374)
6	10-27708	SNAP RING
7	10-20652	SHAFT, QUILL
8	10-21380	BEARING CONE
9	10-21381	BEARING CUP
10	10-21391	RETAINING SHIM
11	10-21994	SQUARE KEY, 3/8" X 1-1/2"
12	10-21385	SEAL (1.50 X 3.00 X 0.472)
13	10-21378	END CAP
14	10-21377	END CAP
15	10-21376	HOUSING
16	10-21387	GASKET
17	10-21389	O-RING
18	10-27694	SPACER
19	10-22020	RETAINER RING, 38 X 4
20	10-21961	LOCKNUT, M40 X 1.5

# LOWER GEARBOX (20557) COMPONENTS



ITEM	PART NO.	DESCRIPTION
1	10-21376	HOUSING
2	10-21377	END CAP
3	10-21378	END CAP
4	10-21379	QUILL
5	10-21380	BEARING CONE
6	10-21381	BEARING CUP
7	10-21382	GEAR, DP 4 TEETH 19
8	10-20628	SHAFT CROSS
9	10-20629	SHAFT, QUILL
10	10-21385	SEAL (1.50X3.00X0.472)
11	10-21386	SEAL (1.50X2.56X0.374)
12	10-21994	SQUARE KEY, 3/8" X 1-1/2"
13	10-21387	GASKET
14	10-21388	PIPE PLUG, 3/4" UNF
15	10-21389	O-RING
16	10-27708	SNAP RING
17	10-21391	RETAINING SHIM
18	10-21541	DEFLECTOR SHIELD
19	10-21542	GREASE WASHER
20	10-21961	LOCKNUT, M40 X 1.5

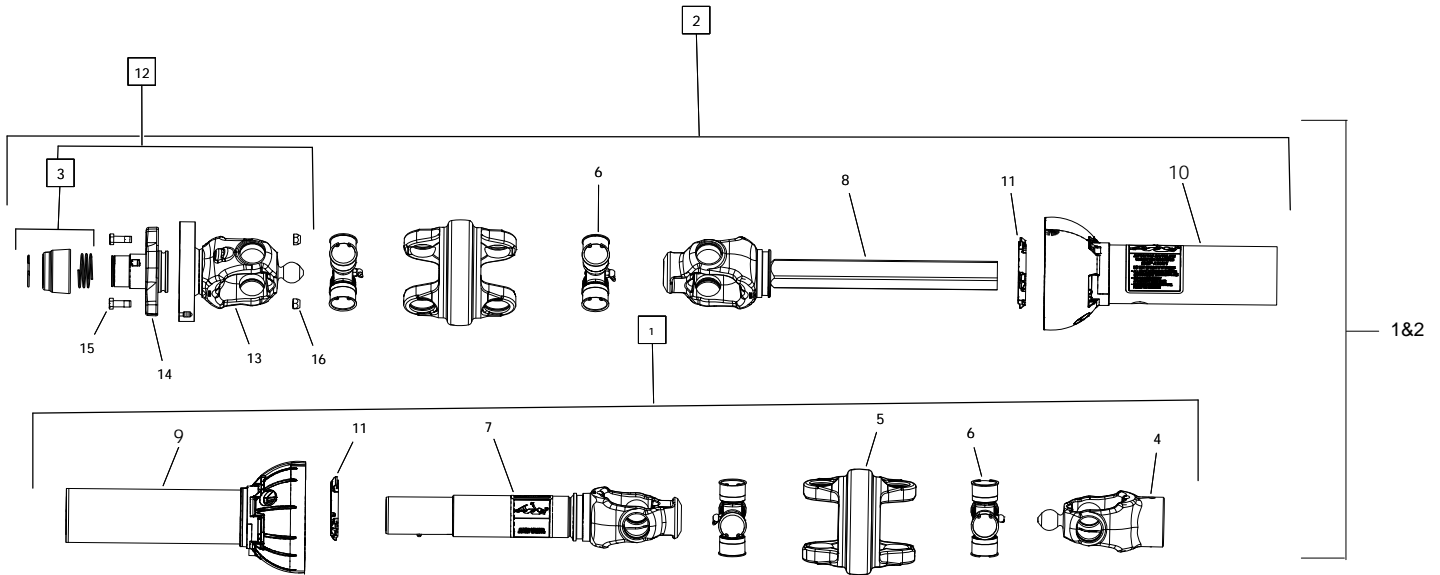
# HYDRAULIC WINCH COMPONENTS



# HYDRAULIC WINCH COMPONENTS

ITEM	PART NO.	DESCRIPTION
1	10-17628	WINCH FRAME
2	10-17625	GEAR BOX W/INTEGRAL MOTOR MOUNT
3	10-28221	MANIFOLD WINCH RELIEF BLOCK
4	10-28222	VALVE WINCH NON-ADJ RELIEF MANIFOLD
5	10-17629	HYD WINCH DRUM
6	10-18097	1" RIM WASHER
7	10-17631	BOLT, 5/16" X 2-1/2" NC GR2 PLTD
8	10-28744	BOLT, 7/16" X 1-1/2" GR5 PLTD
9	10-18955	BOLT, 3/8" X 1" NC GR 5 PLTD
10	10-17593	NYLON LOCKNUT, 7/16" PLTD
11	10-18496	ROPE KEEPER KIT
12	10-19604	LOCKWASHER, 3/8"
13	10-17626	HYDRAULIC MOTOR 3.2, MANIFOLD, KEYED
14	10-19224	WOODRUFF KEY, 1/4 X 1
15	1100625	STEEL ELBOW 90, 1/2FNPSMX3/8MNPT
16	10-29426	HYD HOSE 1/2" X 226"
17	9900047	PIONEER COUPLER
18	10-19149	BUSHING, 1" ID X 1-1/4" OD OILITE
19	10-19222	GREASE NIPPLE, 5/16" PRESS IN
20	10-19975	BOLT, 3/8"X1-1/4" NC GR5 PLTD (NOT SHOWN)
21	10-19596	3/8" NC SERRATED FLANGE NUT PLTD (NOT SHOWN)
22	10-17392	3/8" FLAT WASHER PLTD (NOT SHOWN)
23	10-21496	STEEL PIPE PLUG, M16 X 1.5

# PTO SHAFT COMPONENTS



ITEM	PART NO.	DESCRIPTION
1&2	10-20560	MKX160 PTO SHAFT, DOUBLE CV
1	10-21437	1/2 PTO SHAFT, IMPLEMENT END
2	10-21438	1/2 PTO SHAFT, TRACTOR END
3	10-21439	SPRING LOCK REPAIR KIT
4	10-17551	END YOKE
5	10-17550	CV CENTER HOUSING
6	10-17547	UNIVERSAL JOINT REPAIR KIT
7	N/A	YOKE, TUBE & SUP SLEEVE
8	N/A	YOKE & SHAFT (1.31 SQUARE)
9	10-21964	INNER GUARD
10	10-21965	OUTER GUARD
11	10-21966	NYLON BEARING
12	10-21440	SHEAR ASSEMBLY
13	N/A	SHEAR FLANGE HUB
14	N/A	SHEAR FLANGE YOKE
15	10-18454	BOLT, 3/8" X 1" GR8
16	10-19996	LOCKNUT, 3/8"



# **WHEATHEART**

Box 39

Rosenort, Manitoba, Canada

Phone: (204) 746-2396 Fax: (204) 746-2679

Toll Free: (866) 467-7207 (Canada & USA)

website: [www.wheatheart.com](http://www.wheatheart.com) email: [sales@wheatheart.com](mailto:sales@wheatheart.com)



Printed in Canada